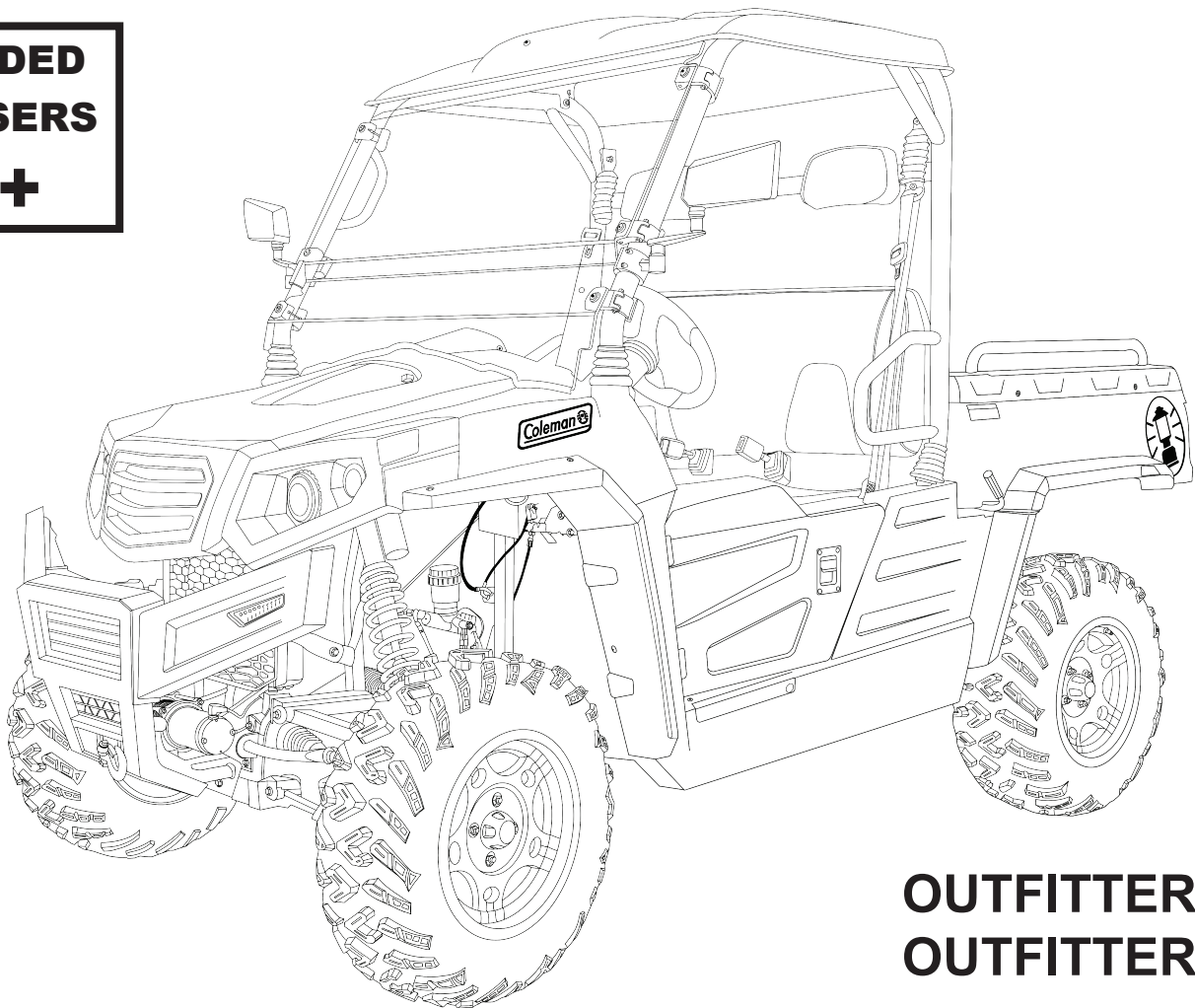




POWERSPORTS

OWNER'S MANUAL

**INTENDED
FOR USERS
16+**



**OUTFITTER 550
OUTFITTER 750**

Provincial / Municipal governments have different regulations pertaining to owning and operating an off-road vehicle, learn the regulations in your area.



WARNING

Operating, servicing and maintaining a passenger vehicle or off-road vehicle can expose you to chemicals including engine exhaust, carbon monoxide, phthalates, and lead, which are known to the state of California to cause cancer and birth defects or other reproductive harm. To minimize exposure, avoid breathing exhaust, do not idle the engine except as necessary, service your vehicle in a well-ventilated area and wear gloves or wash your hands frequently when servicing your vehicle. For more information go to www.P65Warnings.ca.gov/-passenger-vehicle

COLEMAN POWERSPORTS LIMITED WARRANTY

This Warranty is NOT the Emissions Control Warranty Please note this is a general Limited Warranty for this product. It IS NOT an Emissions Control Warranty. Please see the Emissions Control Warranty in this manual for warranties covering Emission components.

The Warranty Coleman Powersports offers the following warranty to the initial purchaser of this new Coleman Powersports product. The initial purchaser is defined as the first person to purchase a new Coleman Powersports product from an Authorized Retailer of Coleman Powersports products.

The limited warranty period for this product is 2 years from the date of purchase shown on the original sales receipt.

What is a Defect? The Product is warranted to be free from manufacturing defects in material and workmanship for a period of 2 years from the date of purchase shown on the sales receipt. During this period of time Coleman Powersports will, at its option, either repair or replace any original Coleman Powersports part which is covered by this warranty and is proven to be defective in workmanship or material.

To qualify for this warranty the part:

1. Must have been purchased from Coleman Powersports or from an authorized Coleman Powersports Retailer.
2. This warranty does not apply to any vehicle which is used in competition or used in a manner not consistent with the normal and proper intended use for the vehicle. This vehicle is not intended for rental or commercial use.

Who Can Perform Repairs Under this Warranty?

Repairs under this warranty should be performed by an authorized Coleman Powersports retailer or comparable servicing dealer.

How to get service under this warranty

To get warranty service call Coleman Powersports at 888-405-8725 for the location of your local servicing retailer / dealer. Please do not return the product to the retailer where the product was purchased unless instructed to do so by Coleman Powersports. The retailer of this product does not make any warranty of its own and has no authority to implement this warranty on behalf of Coleman Powersports without the approval of Coleman Powersports. **A COPY OF YOUR SALES RECEIPT IS REQUIRED FOR WARRANTY SERVICE.**

What this Warranty Does Not Cover

This warranty does not cover the following

1. Damage due to lack or improper maintenance as described in this manual.
2. Damage which is caused by normal use and not caused by a defect in materials or workmanship.
3. Use of the product which is not consistent with the intended use as described in the operating instructions.
4. Any expendable maintenance item which need replacement or service as part of normal maintenance, unless such items have defects in material or workmanship which cause failure or premature wear.
5. Any product which has been altered or modified in a manner not consistent with the original design of the product or in a manner not approved by Coleman Powersports.
6. Tires
7. Damage or failures due to abuse, neglect, or misuse of the product.

Limitations of this Warranty

This warranty does not cover and Coleman Powersports disclaims any responsibility for

- 1. Loss of time or loss of use of the product.**
- 2. Transportation costs to and from the authorized service center.**
- 3. Other loss or damage to other equipment or personal items.**

Length of Implied Warranties

Any implied warranties are limited to the duration set forth in this warranty. Coleman Powersports does not make any claim as to the merchantability or fitness for a particular purpose which would extend longer than the duration of this written warranty.

Check your State Laws as some State Laws do not allow limitations as to the duration of an implied warranty. Some States may also not allow limitation or exclusions based on incidental or consequential damages.

INTRODUCTION

Congratulations on your purchase of the Coleman Powersports Outfitter 550/750 UTV. This Owner's / Operator's manual will provide you information regarding safe operation, operational instructions, maintenance and care. Fully understanding this manual and following all of the instructions herein will provide the knowledge needed to have safe and enjoyable UTV operation.

For questions regarding this UTV, please call Coleman Powersports at 888-405-8725, or go to colemanpowersportsusa.com

IMPORTANT SAFETY MESSAGES

- **READ THIS MANUAL CAREFULLY AND COMPLETELY BEFORE OPERATING YOUR UTV. MAKE SURE YOU UNDERSTAND ALL INSTRUCTIONS.**
- **PAY CLOSE ATTENTION TO THE WARNING AND CAUTION LABELS ON THE UTV.**
- **NEVER OPERATE THE UTV WITHOUT PROPER TRAINING OR INSTRUCTION.**
- **THIS UTV SHOULD NOT BE DRIVEN BY ANYONE UNDER 16 YEARS OF AGE.**

IMPORTANT MANUAL INFORMATION

FAILURE TO FOLLOW THE WARNINGS CONTAINED IN THIS MANUAL CAN RESULT IN SERIOUS INJURY OR DEATH. Particularly important information is distinguished in this manual by the following notations:



The Safety Alert Symbol means **ATTENTION!**
YOUR SAFETY IS INVOLVED!



Failure to follow **WARNING** instructions could result in severe injury or death to the machine operator, bystander or a person inspecting or repairing the machine.



A **CAUTION** indicates special precautions that must be taken to avoid damage to the machine.

NOTE: A **NOTE** provides key information to make procedures easier clearer.

IMPORTANT NOTICE

This UTV is designed and manufactured for **OFF - ROAD** use only. It is illegal and unsafe to operate this UTV on any public street, road or highway.

This UTV complies with all applicable **OFF - ROAD** noise level and spark arrester laws and regulations in effect at the time of manufacture.

Please check your local riding laws and regulations before operating this UTV.

When the temperature is below -4°F (-20°C), park the UTV in a place where the temperature is higher than -4°F (-20°C). Start the UTV after the UTV has warmed up. Please see page 7-3 on the warming up process.

Follow the proper parking procedures when the temperature is higher than 100°F (38°C): turn off the engine; make sure the radiator fan is on for 3 minutes before turning off the power switch.

Starting the UTV for the first time will take longer because the fuel will need reach the fuel injectors. To start the UTV the first time, hold the ignition key on at 5-second intervals. Allow the starter to rest 15 seconds between each start attempt.

UNIVERSAL SYMBOLS

As a guide to the operation of your vehicle, various universal symbols have been utilized on the instruments and controls. The symbols are shown below with an indication of their meaning.



Safety Alert Symbol



Fuel



Engine coolant-Temperature



Parking Brake



Battery Charging Condition



Engine Oil-Pressure



Turn Signal/Hazard



Differential Lock



Position light bulb



Lift Cylinder-Retract



Lift Cylinder-Extend



Lift Cylinder-Float



Hazard Warning Lights



Master Lighting Switch



Audible Warning Device



Fault indicator light of EPS system



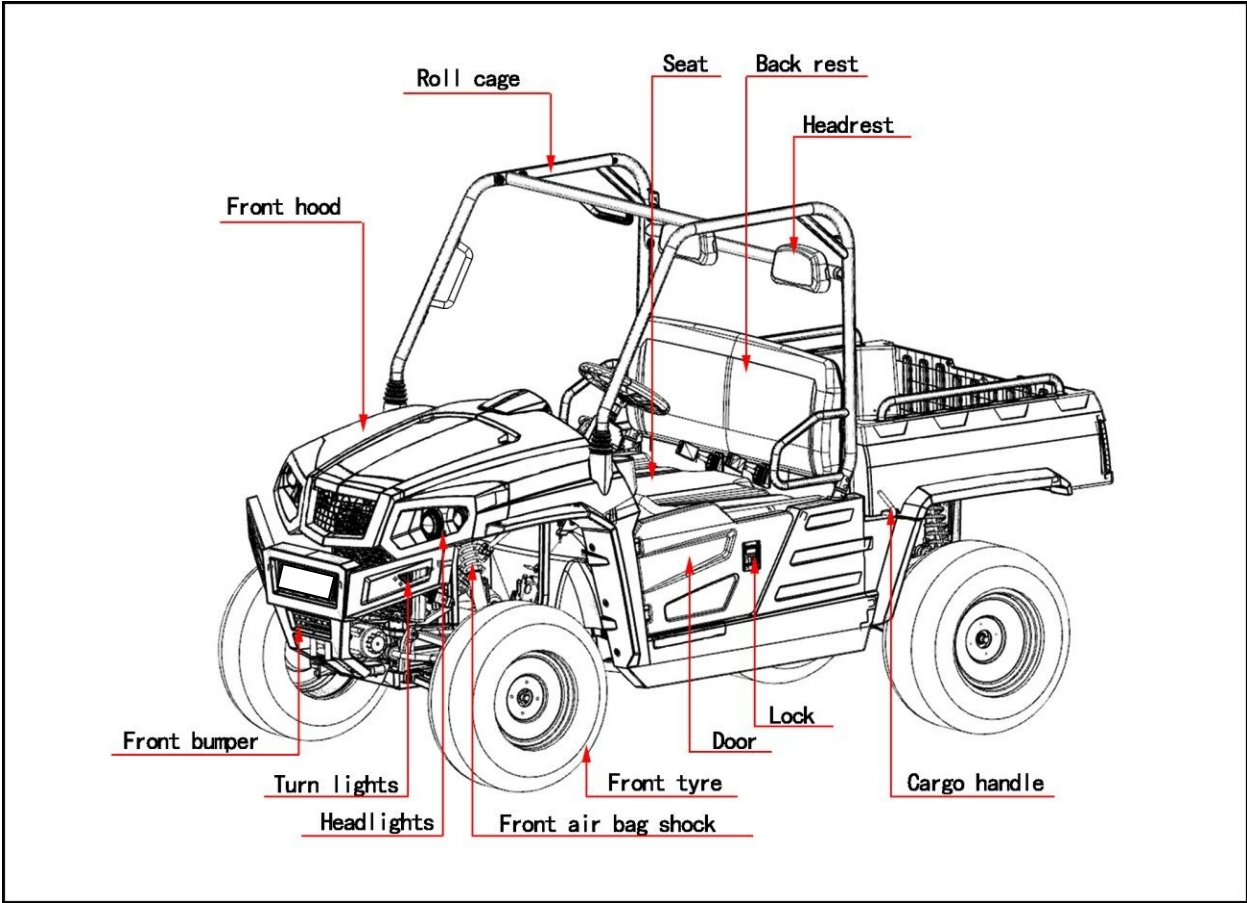
2WD/ 4WD

Table of Contents

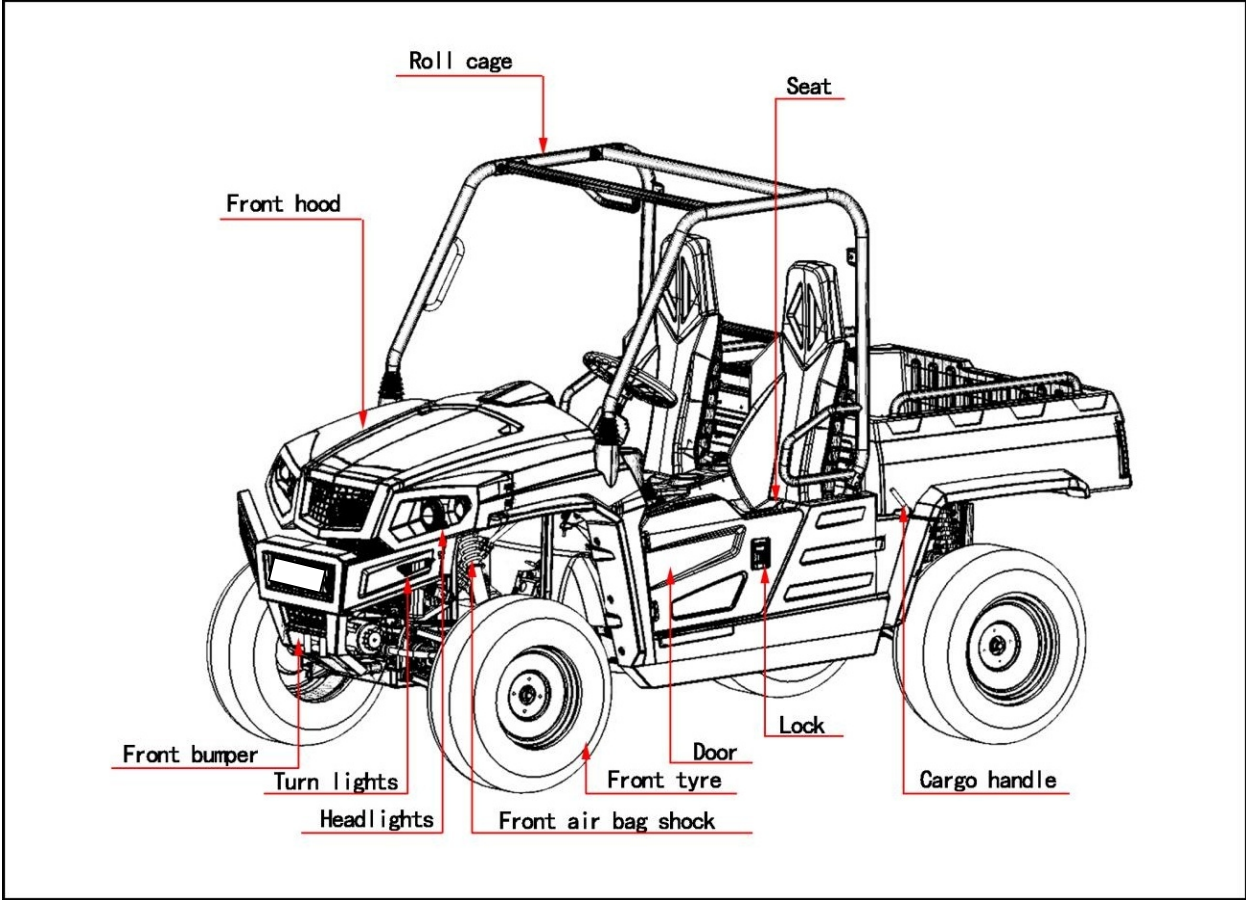
<u>Subject</u>	<u>Page</u>	<u>Subject</u>	<u>Page</u>
Introduction	1-1	Starting	8-1
Important manual information	1-2	Seat belt	8-1
Important notice	1-3	Head light switch	8-2
Universal symbols	1-4	Emergency light switch	8-2
Location of parts	1-7	Turn signal light switch	8-2
Illustrated contents	1-11	Brake pedal	8-3
Safe operation	2-1	Range gear shift lever	8-4
Safety instructions	2-1	4WD lever	8-5
Operation	2-2	Accelerator pedal	8-5
Children safety instructions	2-3	Stopping	8-5
Driving on a slope	2-3	Fuel gauge	8-6
Driving in harsh conditions	2-3	Winch mount plate	9-1
Driving at high speed	2-3	Transporting vehicle	9-1
Instructions for carrier	2-4	Service intervals	9-2
Parking	2-4	Periodic service	10-1
Transportation	2-4	How to open the front hood and seat	10-1
Maintenance	2-4	Front hood cover	10-1
Warning and caution labels	3-1	Operator's seat	10-1
Servicing of vehicle	4-1	How to raise the cargo bed	10-1
Specifications table	5-1	Raising and Lowering the Cargo Bed	10-1
Vehicle limitations	5-4	Jack-up point	10-2
Pre-operation	6-1	Front end	10-2
Operating the engine	7-1	Rear end	10-2
Starting the engine	7-1	Daily check	10-2
Cold starting	7-2	Walk around inspection	10-3
Stopping the engine	7-2	Checking and Refueling	10-3
Warming up	7-2	Checking coolant level	10-3
Warm-up transmission oil in the low temperature range	7-3	Cleaning radiator screen	10-4
Operating the vehicle	8-1	Checking brake fluid level	10-4
Operating new vehicle	8-1	Checking brake pedal	10-5
Do not operate the vehicle at full speed for the first 50 hours	8-1	Checking parking brake	10-5
Changing lubricating oil for new vehicles	8-1	Checking gauges meter and easy checker lamps	10-5
		Checking head light turn signal light etc	10-5

Checking seat belt and ROPS	10-5	Changing brake fluid	10-16
Checking joint boot	10-5	Flushing Cooling system and changing coolant	10-16
Checking tire inflation pressure	10-6	Anti-freeze	10-16
Every 50 hours	10-6	Replacing radiator hose (water pipes)	10-18
Greasing	10-6	Replacing fuel hose	10-18
Checking engine start system	10-7	Replacing brake master cylinder (inner parts)	10-18
Checking wheel bolt torque	10-7	Replacing front brake seal	10-18
Cleaning air cleaner primary element	10-8	Replacing rear brake cylinder seal	10-18
Checking battery condition	10-9	Replacing intake air line	10-18
Adjusting toe-in	10-10	Every 4 years	10-18
Cleaning muffler	10-11	Replacing brake hose	10-18
Every 200 hour	10-11	Replacing slow-blow fuses	10-18
Changing engine oil	10-11	Storage	10-19
Replacing engine oil filter	10-12	Vehicle storage	10-19
Checking brake pedal	10-13	Removing the vehicle from storage	10-20
Checking brake hose and pipe	10-13	Troubleshooting	11-1
Checking brake light switch	10-13	Engine troubleshooting	11-1
Checking radiator hose and clamp	10-13	Diagnostic trouble code table	11-2
Checking intake air line	10-14	Battery troubleshooting	11-3
Every 300 hours	10-14	Machine troubleshooting	11-4
Checking tire	10-14	Emissions warranty	12-1
Every 400 hours	10-15		
Changing transmission fluid	10-15		
Changing front and rear axle case oil	10-15		
Every 500 hours	10-15		
Replacing fuel filter	10-15		
Every 600 hours	10-15		
Adjusting engine valve clearance	10-16		
Every 1500 hours	10-16		
Checking injection and fuel pump	10-16		
Every 1 year	10-16		
Replacing air cleaner primary element and secondary element	10-16		
Every 2 years	10-16		

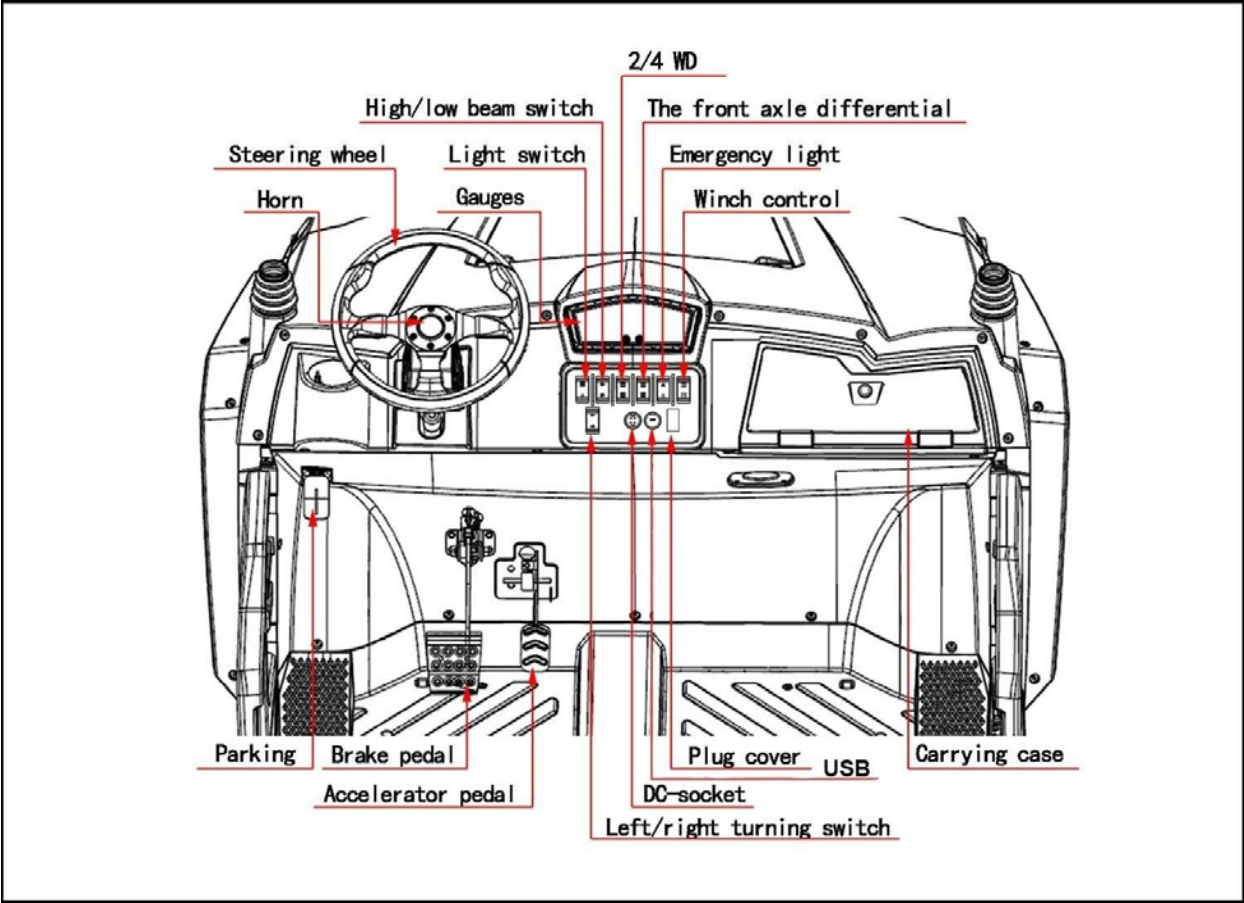
LOCATION OF PARTS
Bench seat



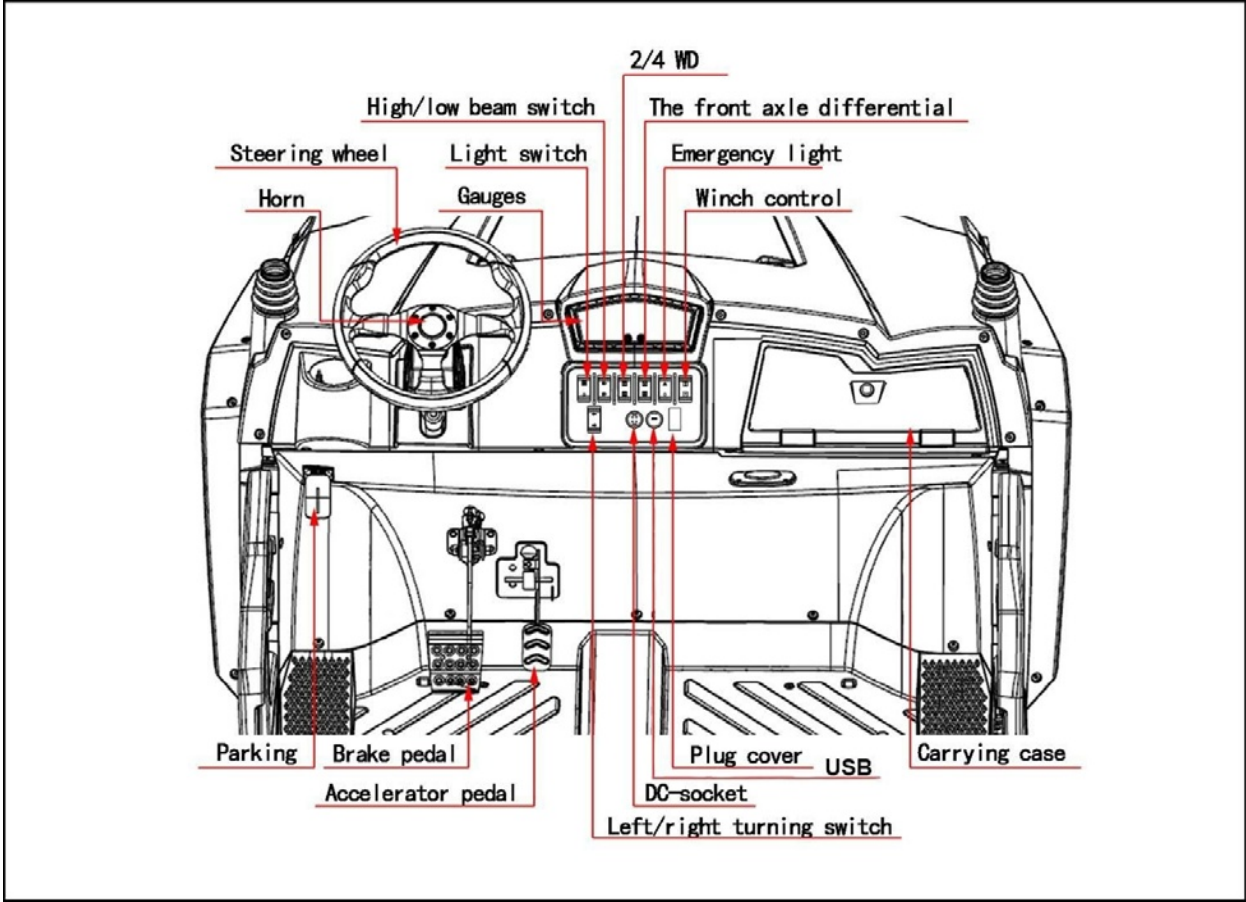
Bucket seat



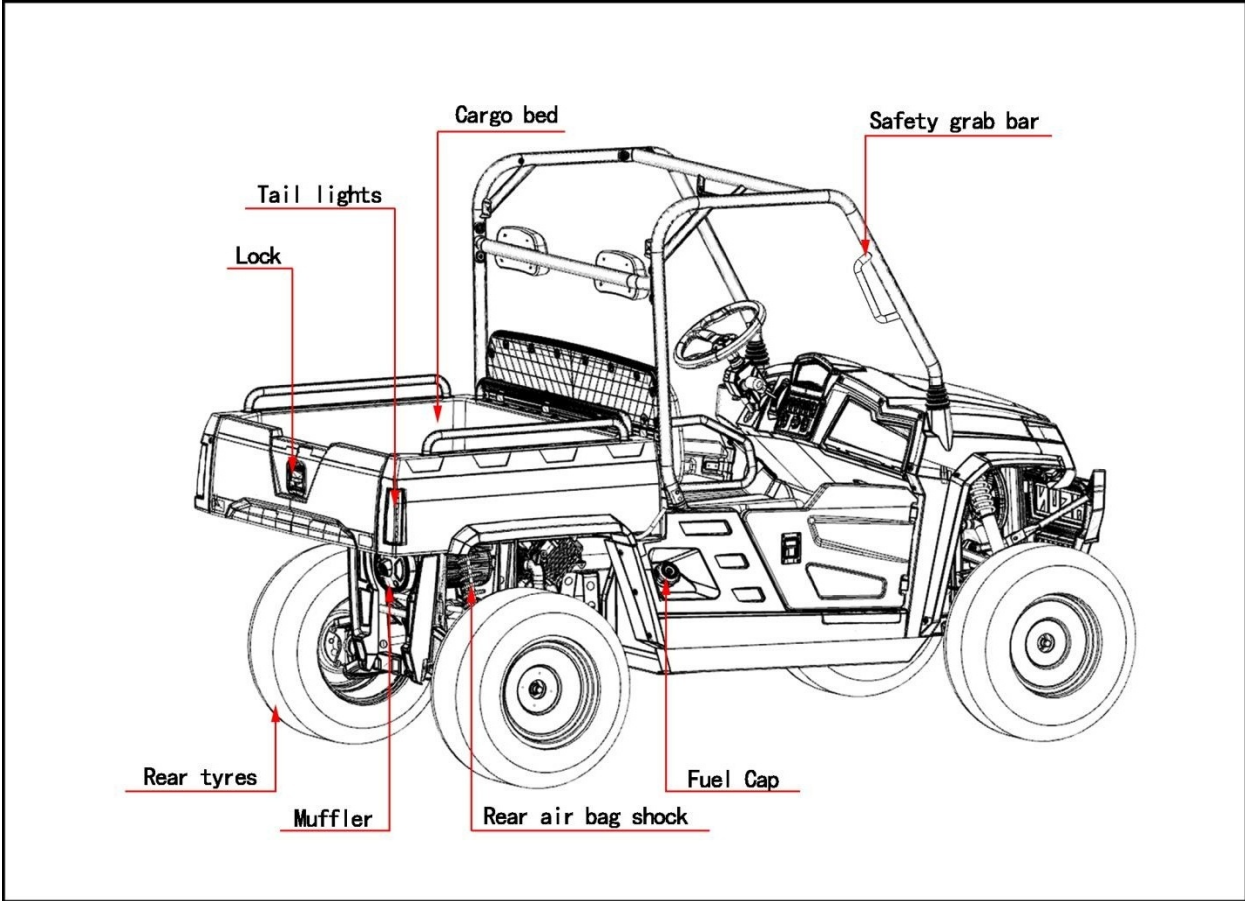
ILLUSTRATED CONTENTS
Bench seat



Bucket seat



Bench seat



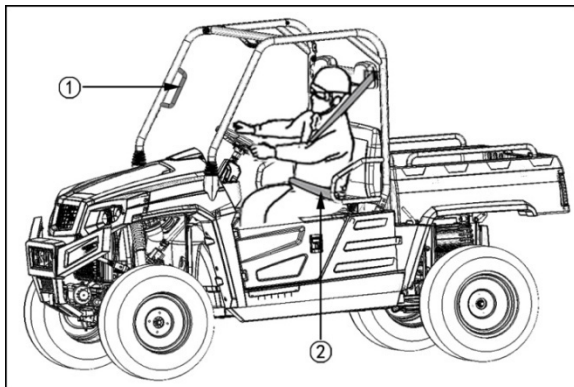
Safe Operation

All operators, including experienced UTV drivers or passengers, should carefully read and fully understand this Users Manual, and operate strictly as the manual states in order to achieve the best performance and avoid accidents. Others who will use your UTV should be trained how to operate the UTV and be required to read this manual before operation.

1. Safety Instructions:

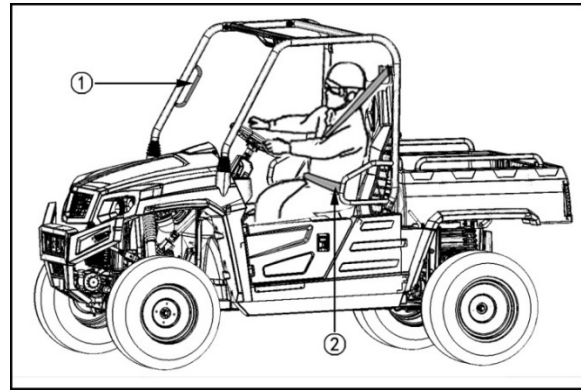
1. Understand this UTV by reading this manual and understanding all the components of the vehicle. Only start and operate the vehicle after finishing reading this manual.
2. Pay close attention to the warning and caution labels on the UTV.
3. Understand completely and learn to use the safety devices (roll-over protective structure, seat belts), and never change original safety devices. If safety devices are damaged, consult your local dealer for replacement. Always use seat belts.

Bench Seat



- ① Roll-over protective structure;
- ② Seat belts

Bucket seat



- ① Roll-over protective structure;
- ② Seat belts

4. Do not wear loose articles of clothing during operation, as these can be drawn into moving parts on the vehicle and could cause a severe injury to occur.

You should always wear protective equipment, such as helmet, boots, eye protection, ear protection, and gloves etc.

5. Only a qualified driver should operate this UTV. Never operate after drinking, using drugs or controlled products, or while fatigued.
6. Always perform the pre-operation checks as following:
 - 1) Check seat belt for worn or damaged, if necessary, replace it.
 - 2) Check brakes, throttle, brake pedal and other mechanical parts for proper operation. If you discover any irregularities, replace related parts as necessary. Periodically check the fittings and fasteners.
 - 3) Check engine oil level and engine coolant level.
 - 4) Check that the UTV is equipped to handle

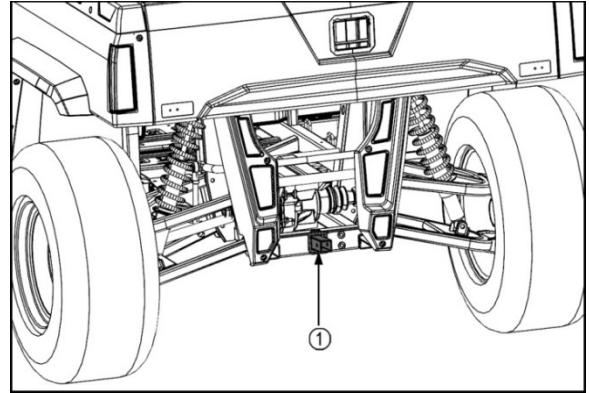
Safe Operation

the surroundings.

- 5) Check and keep vehicle clean. Sludge, grease and debris can cause a fire and severe injury.
7. Passenger quantity and loading:
 - 1) Only the driver and one passenger inside cab. It is suggested that children under age of 5 not be allowed as a passenger.
 - 2) Single-row vehicle's loading limit is 350lbs (159KG). Reduce the loading weight according to road conditions. Never exceed the weight limits for operation.
8. Never allow unauthorized persons to repair this UTV. This may affect vehicle performance and cause injury.
9. This UTV is designed and manufactured for off-road use only, so never drive on paved roadways.

2. Operation

1. Start the engine only in an open ventilated area. Carbon monoxide is colorless, odorless and is emitted from the engine and can cause death in areas with poor ventilation.
2. Never start the vehicle or operate the gear selector unless seated in the driver's seat.
3. Never start the vehicle or operate the gear selector unless seated in the driver's seat.
4. The driver and passenger shall always wear their seatbelt while the vehicle is being operated.
5. Operators of the UTV should not wear earphones.
6. Use trailer hitch to trail cargo, otherwise, serious injury or death will happen.



① Trailer Hitch

7. Do not accelerate quickly when starting the engine, especially driving on rough terrain as this can cause injury or death. Press the accelerator pedal slowly.
8. Drive at slow speed before braking.
9. When press the differential unlocked button (DIFF.LOCK is off), the front/rear wheels can turn at different speed. Otherwise, the vehicle may turnover.
10. Never drive over terrain such as a ditch, a hole, dams, excessive mud, or the vehicle can get stuck because of the vehicles weight.
11. Always pay close attention to your surroundings, and check for streets, trail intersections or other obstacles.
12. Always use signals in advance of turns.
13. Do not allow entrance or exit of the vehicle while it is moving.
14. Clean dash board and Keep the floorboard free of debris that can obstruct the ability to use the brake pedal.
15. Position your hands on the steering wheel. Always keep your hands and feet inside passenger area of the vehicle. Never try to

Safe Operation

stand while operating the vehicle.

16. Do not tow passengers, or attempt to jump the vehicle.

3. Children safety instructions

Always watch children when they are around the vehicle. Children like to imitate adults and this could lead to an accident.

Do not leave children alone beside the vehicle.

Keep children from the operating area of the vehicle.

Turn off the engine and remove the key when children are in the operating area. Never carry children in the cargo bed. This is very dangerous to children. Children under age of 5 are not be allowed in this vehicle.

Never allow children to touch or climb the vehicle even if they are under adult supervision, or climbing on vehicle.

Always check for people or obstacles behind the vehicle before shifting the vehicle into reverse.

Avoid a collision with an obstacle or person.

Park the vehicle on a firm, flat area. If parking on a slope, you should use parking brake, remove the key, and get tires stuck in the tire wedge.

4. Driving on a slope

Be cautious when riding on a slope, as this is the main reason result for loss of control, overturn, leading to severe injury or even death.

1. Drive in a straight line on a slope at a low-speed.
2. Reduce weight when ride on a slope or rough terrain.
3. Avoid the sudden application of the brakes

when you go uphill or downhill. Be more careful when vehicle turns on a slope.

If you start to lose momentum or need to park when climbing, use the parking brake to come to a stop. Release the brake and begin to coast down the hill.

4. If do not believe you can operate the UTV safely in reverse do not attempt to ascend the slope any further.
5. Riding in mud, a ditch, and on slopes will increase the risk of an overturn. Be more cautious when operating. Drive gradually and slowly when climbing. Avoid sudden changes of vehicle speed or direction.

5. Driving in harsh conditions

1. Vehicle can be operated during the day or under good light conditions.
2. Operate the vehicle in open, smooth pavement.
3. Under all conditions, both operator and passengers should wear helmet and protective equipment.
4. Driver should slow down according to road conditions, terrain, visibility conditions.
5. Be cautious when driving over a ditch, stone road or hidden obstacles.
6. Avoid operating in any unknown depth of water. (water depth should not exceed axle height)

6. Driving at high speed

1. Check for front/rear wheels conditions. Pay attention to the differences of braking performances between two and four-wheel

Safe Operation

drive.

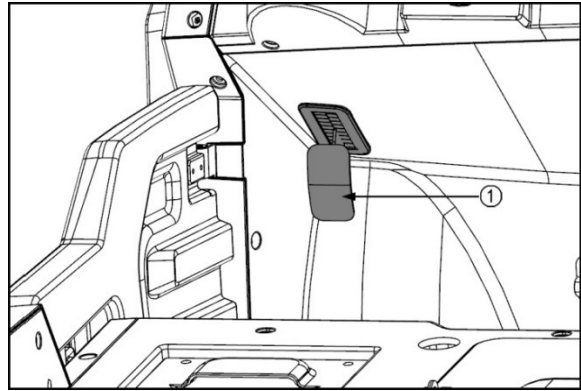
2. Slow down when turning. Turning at high speed may result in overturn or even death.
3. Turn on your headlights at high speeds.
4. Only drive at a speed that can be controlled.
5. Do not use DIFF.LOCK when driving at high speed. Otherwise, this may cause vehicle loss of control.
6. When driving at high speed, suddenly turning the steering wheel will reduce vehicle stability. Never sharply turn the steering wheel at high speeds.

7. Instructions for carrier

1. Never carry a passenger in the cargo area.
2. Evenly distribute the cargo to maintain proper stability. Avoid overloading the carrier. Cargo should be securely attached.
3. Reduce loaded weight when driving on poor road conditions or steep inclines.
4. Do not put your hands and you body under the cargo bed when it is raised. Once lowered, lock the cargo bed in place before operating the vehicle. Never driving before securing and locking the cargo bed.

8. Parking

1. Set the gear shift to the "N" position and To release the parking brake, depress the brake pedal.



① Parking brake.

2. Avoid stopping the vehicle on a slope. If stopping on a slope make sure the vehicle is stationary before exiting.

9. Transportation

1. Avoid dragging the vehicle behind another vehicle. Use a trailer or truck to transport the vehicle.
2. When loading or unloading, pay attention to your surroundings and others in the area.

10. Maintenance

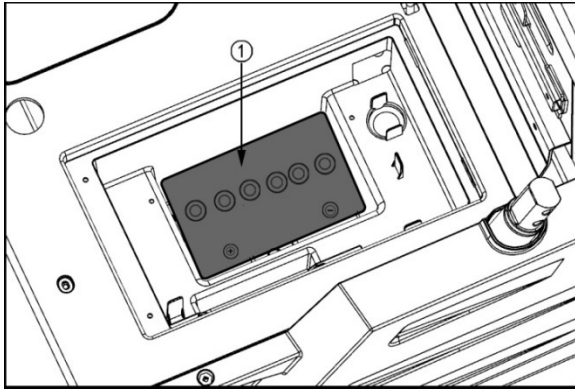
Stop the vehicle and park it on level ground. Pull the parking brake and remove all cargo. Then place shift lever on "N" position, stop the engine and remove the key.

1. When working next to the engine, exhaust or radiator, work only after it has cooled down.
2. Wait for the engine to stop running and cool down before checking the coolant level. Otherwise, you could be burned by hot fluid or steam blown out.
3. No smoking when adding electrolyte or refueling. Fuel tank and battery should be kept away from sparks. Battery produces hydrogen and oxygen during charging and

Safe Operation

this could accelerate the risk of explosion.

4. Read and follow the instructions before replacing the battery.
5. During maintenance, first aid kits and fire extinguishers should be placed at your fingertips.
6. During maintenance, you should disconnect the battery cables.



① Battery

7. Do not open radiator cap before coolant has cooled down. When the coolant is cold, open slowly and let the coolant pressure reduced, and then open water cooler cap. Check for the coolant level in the coolant reservoir. If necessary, add coolant.
8. Tires should be mounted on rims with special equipment by professionals.
9. Keeping specified tire pressure can help to ensure driving safety.
10. Elevate the vehicle and place a suitable stand under the frame when removing the wheels. Be sure to tighten the wheel nuts to specified torque.

Warning Labels

Warning and caution labels

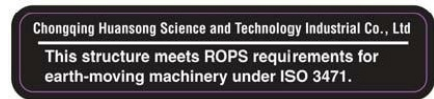
(1)



(2)



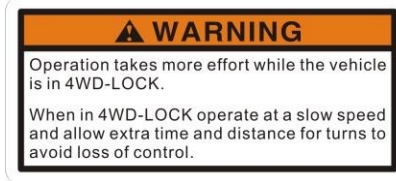
(3)



(4)



(5)



(6)



(7)



(8)



(9)



Warning Labels

(10)

⚠ WARNING

- Use only 91 Octane or higher gasoline.
- Use Non-Ethanol gasoline when possible for better performance and engine.
- **Never use E-85** gasoline in this engine as use of E-85 gasoline will void the warranty.

(11)

⚠ WARNING

- TO AVOID PERSONAL INJURY DUE TO LOSS OF STEERING CONTROL:
- Do not depress the differential lock switch at high speed.

(12)

⚠ WARNING

Severe INJURY or DEATH can result if you ignore the following guidelines:

- Maximum load in cargo bed is 350lb (159kg)
- Never carry passengers in cargo bed. Passengers can be thrown off causing serious injury or death.
- Cargo can affect handling and stability. Read Owner's Manual before loading or towing.
- When operating with cargo or towing a trailer always reduce speed, allow more room to stop and avoid hills and rough terrain.
- Be sure cargo is secured since a loose load can change vehicle handling.
- Keep weight in the cargo bed centered and as low and far forward as possible. Top-heavy loads increase the risk of rollover.

(13)

⚠ WARNING

Instruction
preparing the battery for filling with electrolyte (acid).

take off the rubber sealing cap and remove filling plugs.

replace rubber cap with exhaust tube provided.

filling electrolyte (acid).

fill battery with electrolyte (diluted sulphuric acid) with a specific gravity of: cool or temperate climate 1.270-1.280
tropical climate 1.250-1.260

the electrolyte temperature when filling must not be lower than 15°C or higher than 30°C.

fill battery to upper level as indicated on the battery case.

leave battery to stand for at least 30 minutes after filling.

electrolyte level may fall during this period, refill to upper level before charging.

(14)

⚠ WARNING

- Keep hands and body safely away when closing bed..
- NEVER operate the vehicle with the bed up.

(15)

⚠ WARNING

Improper tire pressure or overloading can cause loss of control. Loss of control can result in severe injury or death.

- Cold tire pressure:
Front : 14psi (100kPa)
Rear : 14psi (100kPa)
- Maximum weight capacity: 880lbs. (399kg)

(16)

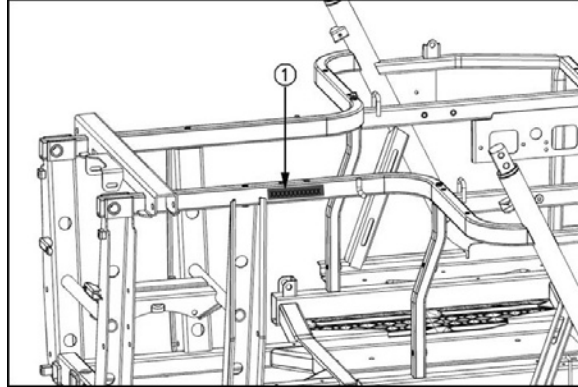
- Max towing weight: 544kg (1200lbs)
- Max tongue weight: 50kg (110lbs)

Vehicle Identification Number

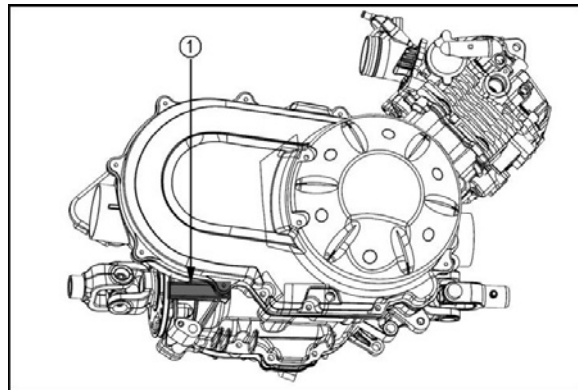
SERVICING OF VEHICLE

Coleman Powersports is interested in your new vehicle and has the desire to help you get the most value from it. After reading this manual thoroughly, you will find you can do some of the regular maintenance by yourself. However, when in need of parts or major service, please contact Coleman Powersports at 888-405-8725. Coleman Powersports will set you up with your nearest service center. When in need of parts, be prepared to give both the vehicle and engine serial numbers. Locate the serial numbers now and record them in the space provided.

	Type	Serial No.
Vehicle		
Engine		
Product Identification Number		
Date of Purchase		
Name of Dealer		



① Vehicle serial number.



① Engine serial number

Specifications

SPECIFICATION TABLE

		Make	Specification	
Engine	Type		1 cylinder, 4-cycle, gasoline, SOHC, liquid cooled	
	Displacement	cc	Outfitter 550 546CC Outfitter 750 735CC	
	Horsepower	Kw(HP)	Outfitter 550 22.5 (30.17) Outfitter 750 28.5 (38.22)	
	Rated RPM	rpm	Outfitter 550 6000 Outfitter 750 5500	
	Low idling revolution		rpm	1350 to 1500
	Fuel Capacity		L(U.S.gal)	28 (7.4)
Transmission			CVT	
Wheels, Drive system			4, Rear 2WD or 4WD	
Differential lock			Electric control: switch	
Gear selection			H-L range forward, Neutral, Reverse	
Brakes	Front/Rear		Wet disk brake	
	Parking brake		Axis brake, pedal-braking	
Steering			Manual	
Dimensions	Length		mm(in.) 2980 (117.32)	
	Wide		mm (in.) 1550 (61.02)	
	Height		mm (in.) 1950 (76.77)	
	Front tread centers		mm (in.) 1300 (51.18)	
	Rear tread centers		mm (in.) 1285 (50.59)	
	Wheelbase		mm (in.) 1950 (76.77)	
	Ground Clearance	front axle	mm (in.)	310 (12.2)
		rear axle		310 (12.2)
Turning diameter		m (ft)	8.6 (28.22)	

Make		Specification	
Suspension	Front	Independent, Dual A-arm type	
	Rear	Independent, Dual A-arm type	
Max. rolling weight (Towing Capacity)		kg (lbs.)	544 (1200)
Payload capacity		kg (lbs.)	159 (350)
Weight		kg (lbs.)	638 (1407) for HS550UTV 710 (1565) for HS750UTV
Cargo bed	Width	mm (in.)	1170(46.06)
	Length	mm (in.)	900 (35.43)
	Depth	mm (in.)	280 (11)
	Volume	m ³ (cu.ft.)	0.29 (10.24)
	Bed height (unloaded)	mm (in.)	810 (31.89)
	Cargo bed capacity (1 row/2 row)	kg (lbs.)	159 (350)
Sound level, operator ear		db (A)	86.5
Tire	Front	26×9-14	
	Rear	26×11-14	
Body color		Red, Black, White, Blue, Yellow, Orange, Camo	

Note:

- The values in “Ground clearance” and “Weight” are those of the machine equipped with the tires noted in the table.

For Outfitter 550

SPEED

Range gear shift lever	km/h (mph)
Low	61 (37.9)
High	72 (44.7)
Reverse	40 (24.8)

For Outfitter 750

Range gear shift lever	km/h (mph)
Low	57 (35.4)
High	80 (49.7)
Reverse	40 (24.8)

Specifications

VEHICLE LIMITATIONS

The Vehicle has been thoroughly tested for proper performance with implements sold or approved by manufacturer. Use with implements which are not sold or approved and which exceed the maximum specifications listed below, or which are otherwise unfit for use, vehicle may result in vehicle malfunction or failures with a possibility of the vehicle damage, property damage and injury to the operator or others. Any malfunctions or failures of the vehicle resulting from use with improper implements are not covered by the warranty.

Max. Cargo loading weigh	
Cargo Bed Capacity=159kg(350 lb) Vehicle Total Capacity=399kg(880 lb) *(operator+ one passenger+ opt+ acc)weight+ trailer weight	Max. rolling weight 544kg (1200 lbs.)
	Max. tongue weight 50 kg (110 lbs.)

1. Above mentioned specifications are based on level ground condition.

Pre-Operation

DAILY CHECK

To better prevent troubles, it is important to know condition of the vehicle well. Check it before starting.



CAUTION:

To avoid personal injury:

Be sure to check and service the vehicle on a level surface with the engine shut off and the parking brake "ON" and implement lowered to the ground if equipped.

Check items

- Visually inspect the exterior of the vehicle
- Check engine oil level
- Check transmission oil level
- Check brake fluid level
- Check coolant level
- Clean radiator screen
(When used in a dusty place)
- Check brake and pedal
- Check parking brake
- Check indicators, gauges and meters
- Check lights
- Check seat belts and roll-over protective structures.
- Check front and rear joint boots.
- Check tire inflation pressure.
- Refuel
(See "DAILY CHECK" in "PERIODIC SERVICE" section.)
- Check of danger, warning and caution labels
(See "DANGER, WARNING AND CAUTION LABELS " in " SAFE OPERATION " section.)

Operating the Engine



CAUTION:

To avoid personal injury:

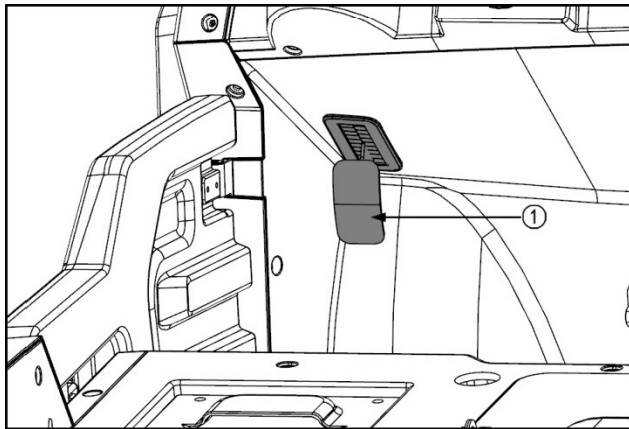
- Read "SAFE OPERATION" in front of this manual.
- Read the danger, warning and caution labels located on the vehicle.
- To avoid the danger of exhaust fume poisoning, do not operate the engine in closed buildings without proper ventilation.
- Start engine only from operator's seat. Never start engine while standing on ground.
- Make it a rule to set gear shift lever to "NEUTRAL" position before starting the engine.

IMPORTANT:

- Do not use starting fluid or ether.
- To protect the battery and the starter, make sure that the starter is not continuously turned for more than 5 seconds.

STARTING THE ENGINE

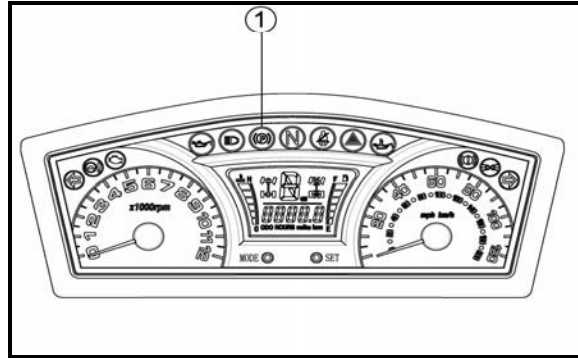
1. Make sure the parking brake is set.



① Parking brake

NOTE:

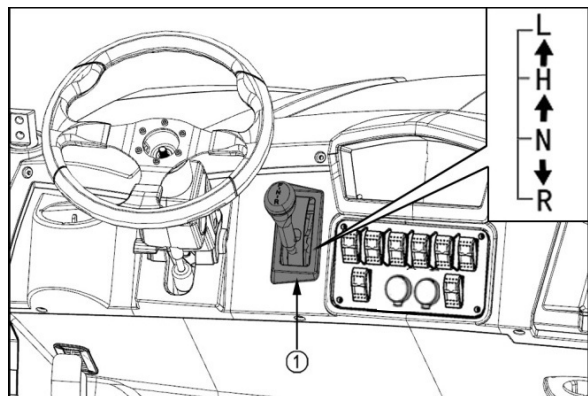
The parking brake warning lamp (P) comes on while parking brake is applied and goes off when it is released.



① Parking brake warning lamp

2. Set gear shift lever to the "NEUTRAL" position.

Bench seat

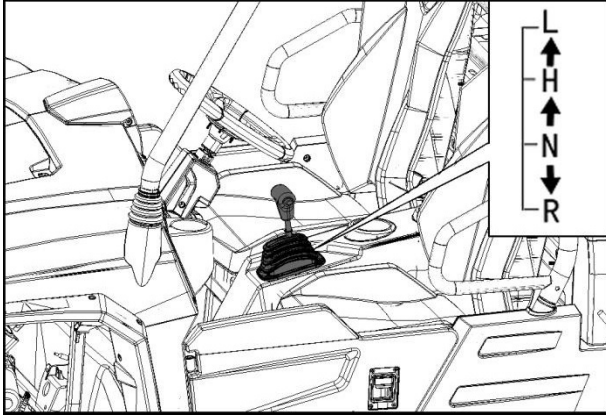


① Range gear shift lever.

- (L) Low Range
- (H) High Range
- (N) "Neutral" position
- (R) "REVERSE"

Bucket seat

Operating the Engine



① Range gear shift lever.

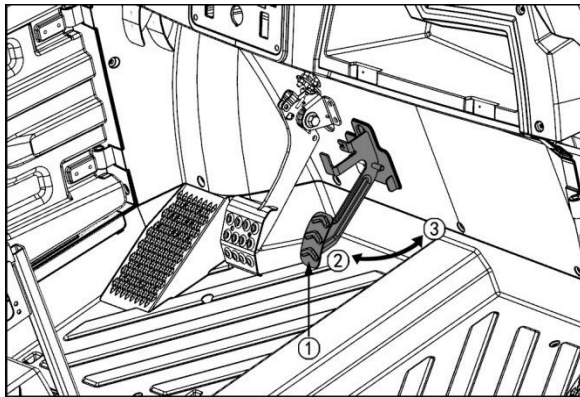
(L) Low Range

(H) High Range

(N) "Neutral" position

(R) "REVERSE"

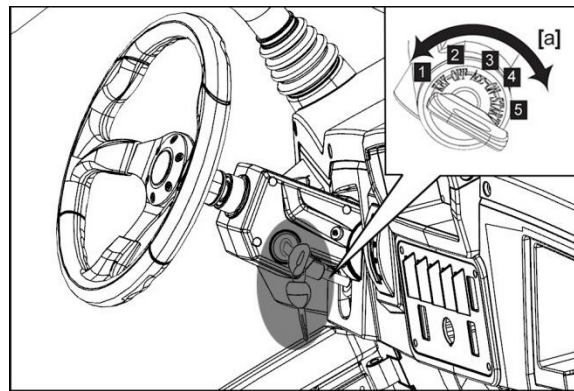
3. Push the accelerator pedal down slowly.



① Speed control pedal

②=>③ INCREASE

③=>② DECREASE



1. Insert the key into the key switch and turn it "START".

OFF (Stop the Engine)

ON (Engine runs or headlights on)

START (Start the Engine)

IMPORTANT :

- It is not sufficient to do daily checks on dash board only. Always conduct daily checks carefully by referring to "DAILY CHECK" in "PERIODIC SERVICE" section.

5. Turn the key to "START" position and release when the engine starts.

IMPORTANT:

- Because of safety devices, the engine will not start except when the gear shift lever is placed in the "NEUTRAL" position and the brake is depressed.

■ Cold Starting

When the ambient temperature is below - 15°C (5°F), the engine is very cold. If the engine fails to start after 5 seconds, turn off the key for 30 seconds and start again.

STOPPING THE ENGINE

1. After slowing the engine to idle, turn the key to "OFF".
2. Remove the key.

WARMING UP

⚠ CAUTION:

To avoid personal injury:

- Be sure to set the parking brake during warm-up.
- Be sure to set the shift lever to the

Operating the Engine

“NEUTRAL” position during warm-up.

For 5 minutes after engine start-up, allow the engine to warm up without applying any load. This is to allow oil to reach every engine part. If load applied to the engine without warming-up, engine damage may occur.

■ Warm-Up Transmission Oil in the Low Temperature Range

IMPORTANT:

- Do not operate the vehicle under full load condition until it is sufficiently warmed up.

Operating the Vehicle

OPERATING NEW VEHICLE

How a new vehicle is handled and maintained determines the life of vehicle.

A new vehicle just off the factory production line has been, of course, tested, but the various parts are not aligned to each other, so the operator should pay more attention to operating the vehicle for the first 50 hours at a slower speed and avoid excessive work or operation until the various parts become “broken-in.” The manner to which you handle the vehicle during “breaking-in” period greatly affects the life of your vehicle. Therefore, to obtain the maximum performance and the longest life of the vehicle, it is very important to properly break-in your vehicle. For better handling a new vehicle, the following precautions should be observed.

■ Do not operate the vehicle at full speed for the first 50 hours.

- Do not start quickly nor apply the brakes suddenly.
- In winter, operate the vehicle after fully warming up the engine.
- Do not run the engine at speeds faster than prescribed.
- On rough roads, slow down to suitable speeds.

Do not operate the vehicle at fast speed. The above precautions are not limited to new vehicles. However, they should be especially observed for new vehicles.

■ Changing Lubricating Oil for New Vehicles

The lubricating oil is especially important for a new vehicle. Various parts need time to wear and polish themselves to the correct operating clearances. Small pieces of metal grit may develop during the operation of the vehicle; and this may wear out or damage the parts. Therefore, change the lubricating oil a little earlier than would ordinarily be required. For further details of change interval hours, see “MAINTENANCE” section

STARTING

1. Fasten the seat belt during operation.

■ Seat Belt



To avoid personal injury:

- **Seat belts reduce injury. Always wear your seat belts. The lap-style seat belts may not provide adequate protection for small children. Pay special attention when carrying a child passenger.**



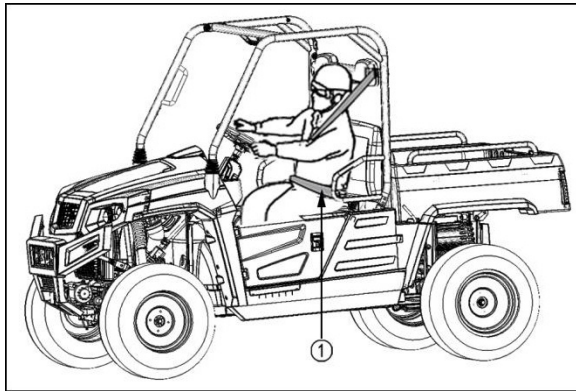
To avoid personal injury:

- **Always use the seat belts when operating and riding the vehicle.**

Adjust the seat belts for proper fit and connect the buckle. This seat belt is an auto-locking retractable type.

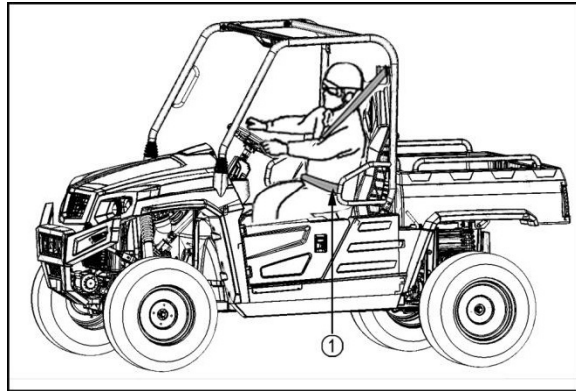
Bench seat

Operating the Vehicle



① Seat belt

Bucket seat



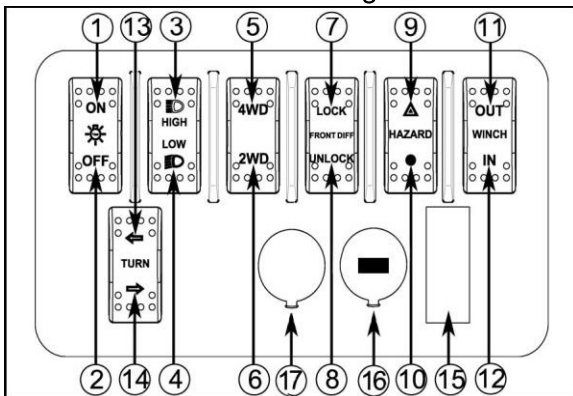
① Seat belt

2. Selecting light switch position.

■ Head Lights Switch

Turn on the key switch and toggle the head light switch to the “ON” position.

Toggle the head light switch to the “OFF” position to turn off the head light.



- ① Head light switch
- ② Head lights “OFF”
- ③ High beam lights “ON”
- ④ Low beam lights “ON”
- ⑤ 4WD button
- ⑥ 2WD button
- ⑦ Front axle differential lock
- ⑧ Front axle differential unlock
- ⑨ Emergency light “ON”
- ⑩ Emergency light “OFF”
- ⑪ Winch cable release
- ⑫ Winch cable pulled up
- ⑬ Left turning lights
- ⑭ Right turning lights
- ⑮ Plug cover
- ⑯ USB Plug
- ⑰ 12V Receptacle

NOTE:

Turning the head light switch to the “ON” position causes the following lamps to light simultaneously.

1. Tail lights (lamps at the rear portions of the vehicle)
2. Lamp built in the coolant temperature gauge
3. Lamp built in the fuel gauge
4. Lamp built in the speedometer
5. Front left and right position lights

■ Emergency Light Switch

Press the top half of the emergency light switch, the light flash along with the indicator on the instrument panel. Press the bottom half of the emergency light switch to turn off the light.

Note:

The emergency light switch will operate when the key switch is in the “ON” position. Be careful that keeping the switch “ON” causes the battery to run out.

■ Turn Signal Light Switch

[if equipped]

To indicate a right turn, push on the lower half of

Operating the Vehicle

the turn toggle switch.

To indicate a left turn, push on the upper half of the turn toggle switch.

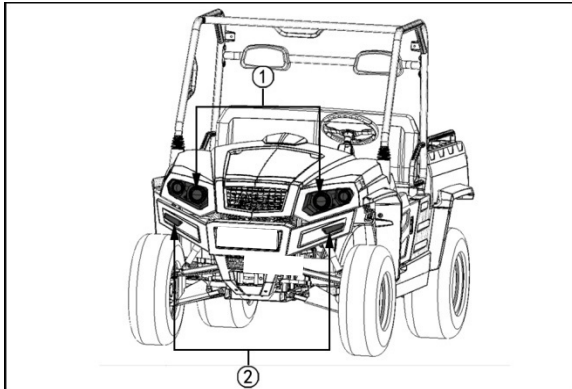
When the left or right signal is activated, the indicated turning light will flash and the other will stay on.

The indicator lamp at the instrument panel also flashes indicating the direction of the turn.

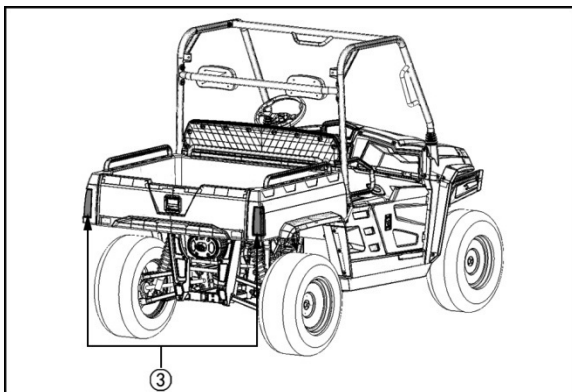
NOTE:

- The turn signal light switch is only operative when the key switch is in the "ON" position.
If the emergency light switch is pressed to the "ON" position while the turn signal is activated, the indicated turning light will flash and other will stay on.
- Be sure to return switch to center position after turning.

Bench seat

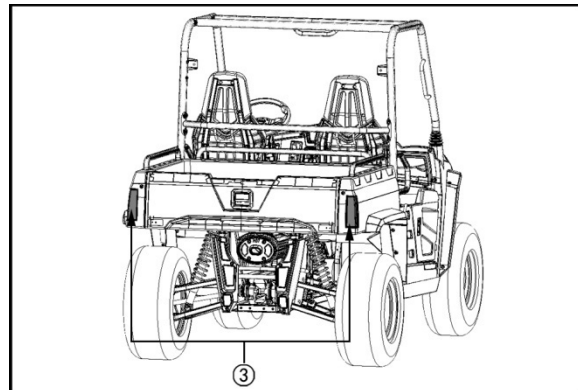
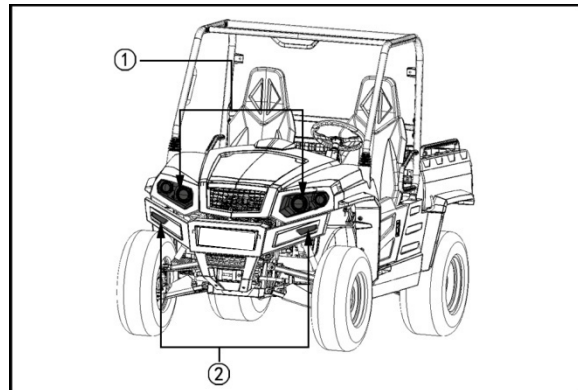


① Head light ② Head turn signal lamp;



③ Tail turn signal lamp

Bucket seat



① Head light ② Head turn signal lamp;
③ Tail turn signal lamp

3. Checking the brake pedal.

■ Brake Pedal



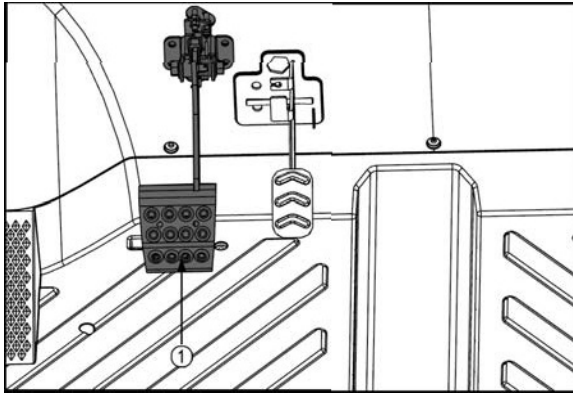
CAUTION:

To avoid personal injury:

- If the operator suddenly brakes, an accident may occur due to loss of control or the shifting forward of heavy loads.
- When driving on icy, wet or loose surface, make sure the vehicle is correctly loaded to avoid skidding or loss of steering control. Reduce the speed.

The brake pedal is the left pedal on the foot board. Depress the pedal to slow or stop the vehicle

Operating the Vehicle



① Brake pedal

4. Selecting the travel speed.

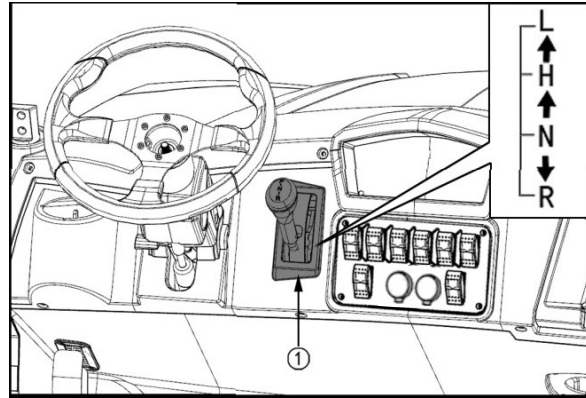
■ Range Gear Shift Lever



To avoid personal injury:

- Avoid changing gears when ascending or descending a slope.
 - Before ascending or descending a slope, shift to the “L” range to control the vehicle speed.
 - If you shift gears while ascending or descending a slope, be prepared to use the brake to maintain control.
 - Operate in reverse at slow speeds to maintain control.
1. The range gear shift lever can only be shifted only when the vehicle is completely stopped and the brake pedal is pressed.
 2. To avoid transmission and shift linkage damage, completely stop the vehicle using the brake pedal before shifting gears.
 3. Select proper gear and engine speed depending on the types of job.
 4. Before exiting vehicle, shift the gear shift lever to the “NEUTRAL” position and set parking brake.

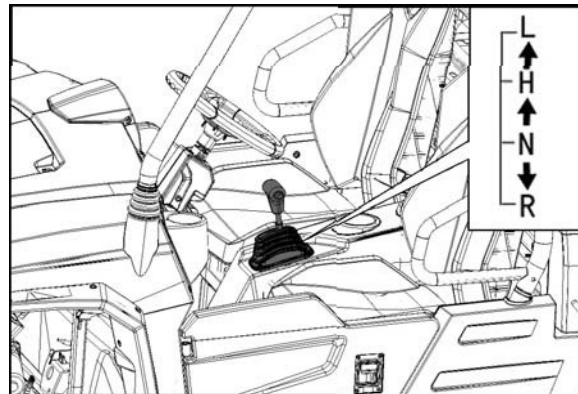
Bench seat



① Range gear shift lever

- (L) LOW Range
- (H) HIGH Range
- (N) “NEUTRAL” POSITION
- (R) “REVEREE”

Bucket seat



① Range gear shift lever

- (L) LOW Range
- (H) HIGH Range
- (N) “NEUTRAL” POSITION
- (R) “REVEREE”

NOTE:

- When range gear shift lever is hard to engage, do not force the lever. Set the parking brake, slightly depress the accelerator pedal and release it to neutral position, then shift the lever. When the lever is hard to disengage, do not force the lever.

Depress the brake pedal fully, then shift the lever. Damage may occur with wrong shifting

Operating the Vehicle

operation.

- Damage may occur with wrong shifting operation.

■ 4WD Lever



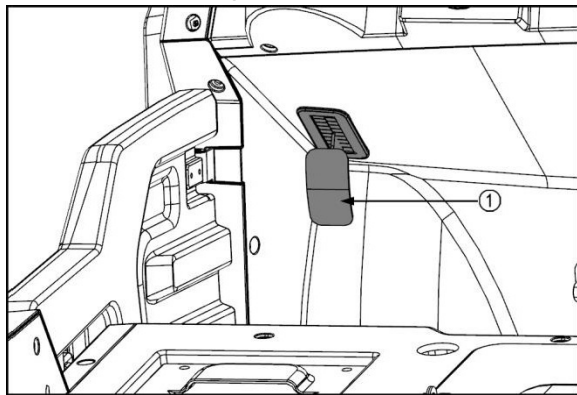
CAUTION:

To avoid personal injury:

- when traveling at road speed. Use only 2WD.
- When driving on icy, wet or loose surfaces, make sure the vehicle is correctly loaded to avoid skidding and loss of steering control. Reduce the speed and engage front wheel drive.
- Accident may occur if the vehicle is suddenly braked, such as heavy towed loads shifting forward causing loss of control.
- The braking characteristics are different between two and four wheel drive. Be aware of the differences and operate carefully.

5. Unlock the parking brake and start slowly.

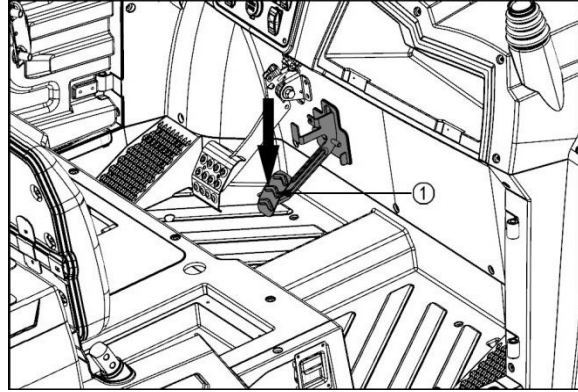
To release the parking brake, depress the brake pedal. Make sure that indicator in the instrument panel goes off.



① Parking brake

■ Accelerator Pedal

The accelerator pedal is used to increase the engine and vehicle speed. Push down on it for higher speed.



① Accelerator pedal

STOPPING

■ STOPPING

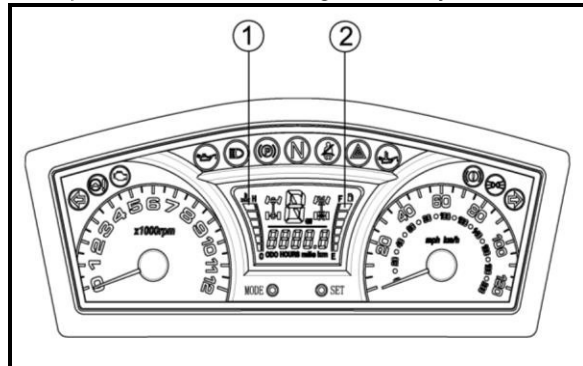
1. Release the accelerator pedal
2. Step on the brake pedal.

CHECK DURING DRIVING

■ Immediately Stop the Engine if:

- The engine suddenly slows down or accelerates.
- Unusual noises are suddenly heard.
- Exhaust fumes suddenly become very white.

While driving, check the following items to see if all parts are functioning normally.



Operating the Vehicle

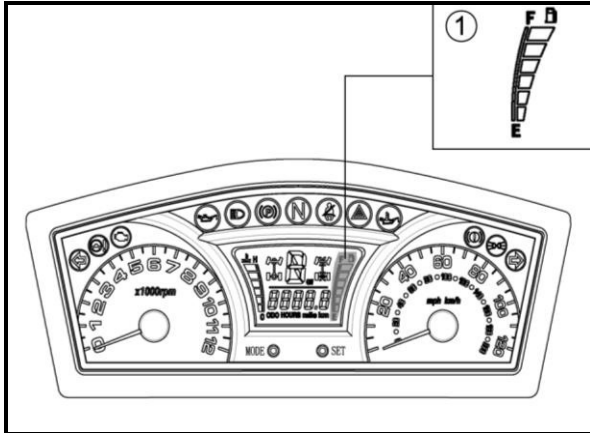
- ① Coolant temperature gauge
- ② Fuel gauge

■ Fuel Gauge

Park the vehicle on a flat place.

When the key switch is “START”, the fuel gauge indicates the fuel level.

Be careful not to fully empty the fuel tank. Otherwise air may enter the fuel system.



- ① Fuel gauge

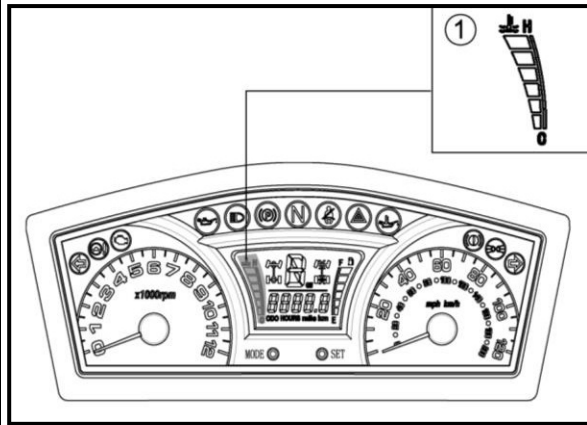
■ Coolant Temperature Gauge



CAUTION:

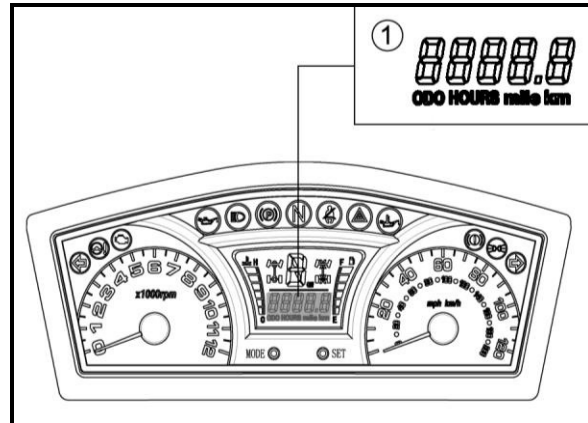
To avoid personal injury:

- Do not remove radiator cap until coolant temperature is well below its boiling point. Then loosen cap slightly to relieve pressure before removing cap completely.
1. With the key switch “ON” the temperature gauge indicates the temperature of the coolant. White Zone for “cold” and Red zone for “hot”.
 2. If the indicator reaches the Red zone, the engine coolant is overheated. Check the vehicle by referring to “TROUBLESHOOTING” section.



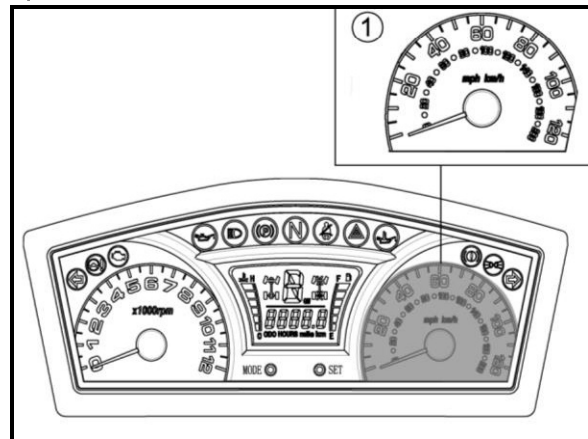
- ① Coolant temperature gauge

The hour meter indicates in five digits the hours the vehicle has been used; the last digit indicates 1/10 of an hour.



- ① Hour meter

The speedometer indicates the traveling speed.

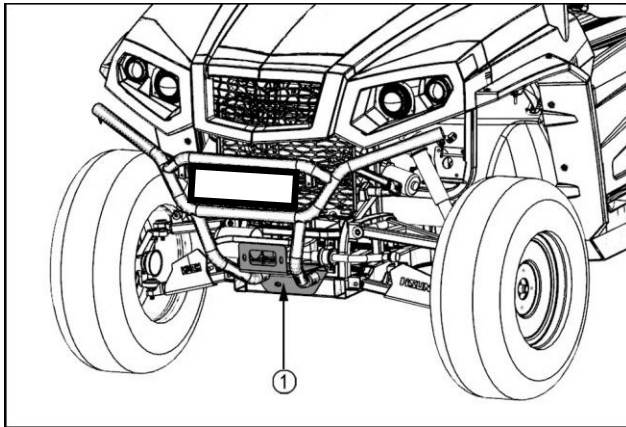


- ① Speedometer

Maintenance and Adjustment

WINCH MOUNT PLATE

Always read and follow the instructions in the winch owner's manual before attempting to install or use a winch.



① Winch mount plate

■ Transporting Vehicle

Pay attention to the following points when transporting the vehicle.

1. Use a suitable truck or trailer.
2. Apply the parking brake and place chocks against the front and rear tires.

Maintenance and Adjustment



CAUTION:

To avoid personal injury and vehicle damage:

- Be sure you have sufficient knowledge, experience, the proper replacement parts and tools before you attempt any vehicle maintenance task.
- If you don't have the knowledge and equipment which are necessary to perform the maintenance task, consult your local dealer.
- Have your local dealer perform inspection items which are marked *4 in the chart below.

SERVICE INTERVALS

IMPORTANT:

- The jobs indicated by © must be done after the first 50 hours of operation.
- *1 Air cleaner should be cleaned more often in dusty conditions than in normal conditions.
- *2 Every year or every 6 times of cleaning.
- *3 Replace only if necessary.
- *4 Consult your local dealer for this service.
- *5 When the battery is used for less than 100 hours per year, check the battery condition by reading the indicator annually.
- The items listed below with a * mark are registered as emission related critical parts by the U.S.EPA. As the engine owner, you are responsible for the performance of the required maintenance on the engine according to the below instruction. Please see Warranty Statement for more information.

No.	Items		Indication of													After 700 hrs	
			50	100	150	200	250	300	350	400	450	500	550	600	650		700
1	Engine oil	Change	©			○				○				○			Every 200 hrs
2	Engine oil filter	Replace	©			○				○				○			Every 200 hrs
3	Transmission fluid	Change								○							Every 400 hrs
4	Engine start system	Check	○	○	○	○	○	○	○	○	○	○	○	○	○	○	Every 50 hrs
5	Greasing	Apply	○	○	○	○	○	○	○	○	○	○	○	○	○	○	Every 50 hrs
6	*Muffler	Clean	©	○		○		○		○		○		○		○	Every 100 hrs
7	Spark arrester	Clean		○		○		○		○		○		○		○	Every 100 hrs
8	Wheel bolt torque	Check	©	○		○		○		○		○		○		○	Every 100 hrs
9	Battery condition	Check		○		○		○		○		○		○		○	Every 100 hrs
10	Toe-in	Adjust		○		○		○		○		○		○		○	Every 100 hrs

Maintenance and Adjustment

No.	Items		Indication of													After 700 hrs	
			50	100	150	200	250	300	350	400	450	500	550	600	650		700
11	Fuel filter element	Check		○		○		○		○		○		○		○	Every 100 hrs
		Replace										○					Every 100 hrs
12	*Fuel line	Check		○		○		○		○		○		○		○	Every 500 hrs
		Replace															Every 100 hrs
13	*Air cleaner element	Clean		○		○		○		○		○		○		○	Every 1 years
		Replace															Every 100 hrs
14	Brake pedal	Check	◎			○				○					○		Every 1 years
15	Parking brake	Adjust	◎			○				○					○		Every 200 hrs
16	Brake light switch	Check	◎			○				○					○		Every 200 hrs
17	Radiator hose and clamp	Check				○				○					○		Every 200 hrs
		Replace															Every 2 years
18	*Intake air line	Check				○				○					○		Every 200 hrs
		Replace															Every 1 years
19	Brake hose & pipe	Check	◎			○				○					○		Every 200 hrs
		Check															Every 4years
20	Tire wear	Check	◎					○							○		Every 300 hrs
21	Front axle case oil	Change								○							Every 400 hrs
22	Knuckle case oil	Change								○							Every 400 hrs
23	Engine valve clearance	Adjust															Every 800 hrs
24	*Fuel injection	Check															Every 1500 hrs
25	*Injection	Check															Every 3900 hrs
26	Brake fluid	Change															Every 2 years
27	Remote hydraulic hose	Replace															Every 2 years
28	Rear brake cylinder seal	Replace															Every 2 years
29	Front brake seal	Replace															Every 2 years
30	Cooling system	Flush															Every 2 years

Maintenance and Adjustment

No.	Items		Indication of													After 700 hrs	
			50	100	150	200	250	300	350	400	450	500	550	600	650		700
31	Coolant	Change															Every 2 years
32	Fuel system	Bleed															Service as required
33	Fuse	Replace															
34	Light bulb	Replace															

NOTE:

◆ Engine Oil: (10W/40SL)

Oil used in the engine should have an American Petroleum Institute (API) service classification and Proper SAE Engine Oil according to the ambient temperatures as shown above.

◆ Brake fluid:

Always use DOT3 GENUINE BRAKE FLUID from a sealed container.

Periodic Service

CAUTION:

To avoid personal injury:

HOW TO OPEN THE FRONT HOOD COVER AND SEAT

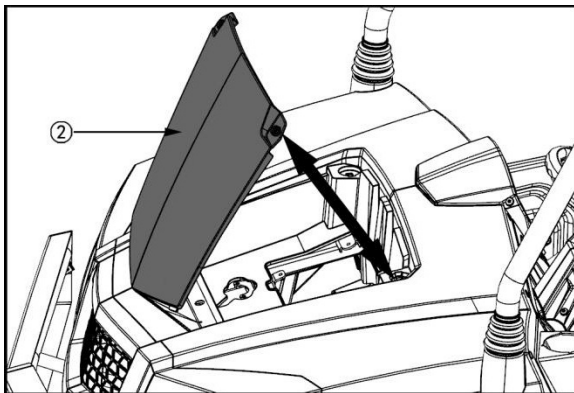
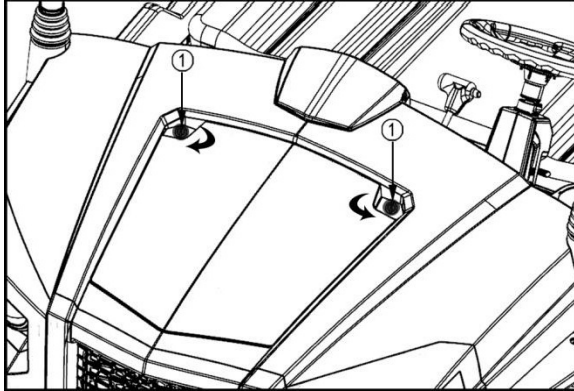
CAUTION

To avoid personal injury from contact with moving parts:

- Never open operator's seat while the engine is running.

■ Front hood cover

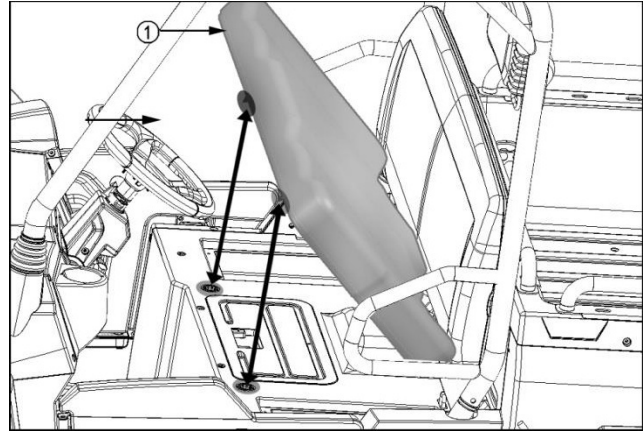
To open the hood, turn the switch as the direction in below picture to release the latch and lift the hood off. To close, tilt cover back to closed position and fasten the latches.



- ① Turn switch
- ② Front hood cover

■ Operator's Seat

To open the seat, raise the seat to the forward position.



- ① Operator's seat

HOW TO RAISE THE CARGO BED

CAUTION

To avoid personal injury:

- When servicing under raised bed, make sure safety support is properly mounted.
- Do not touch muffler or exhaust pipes while they are hot; Otherwise, severe burns could result.

■ Raising and Lowering the Cargo Bed

◆ To raise the cargo bed

1. Apply the parking brake with the engine off.
2. Pull up the cargo bed handle.

◆ To lower the cargo bed

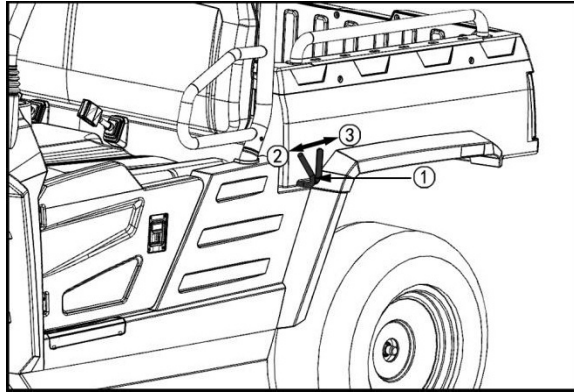
Press down the cargo bed hard to make the gas spring contractive till it is locked.

NOTE:

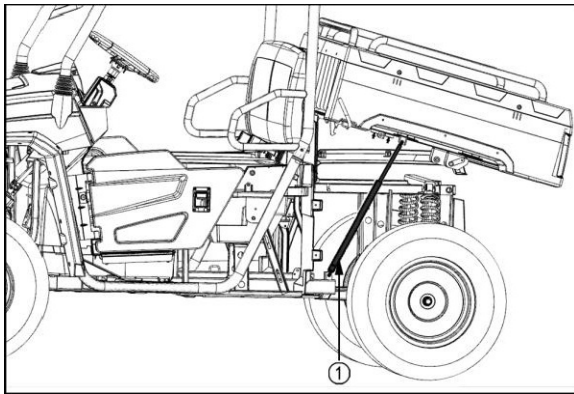
Pull up the cargo bed handle to raise the cargo

Periodic Service

bed with the gas spring elasticity.



- ① Cargo bed handle
- ② UP
- ③ DOWN



- ① Gas spring

JACK-UP POINT



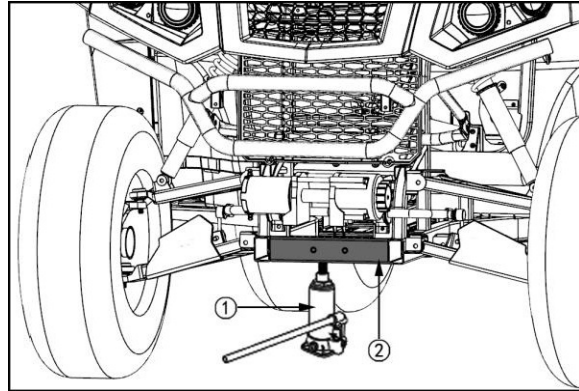
WARNING

To avoid personal injury, death or vehicle damage:

- Do not work under the vehicle unless it is secured by safe stands or suitable blocking.

■ Front End

Jack up at the front frame tube only.

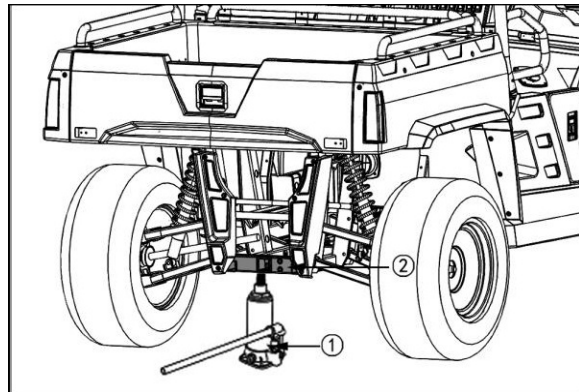


- ① Jack
- ② Rear frame tube

■ Rear End

Jack the rear only after placing a wooden block under the right and left frame tubes for securing the engine and then supporting it.

Do not apply jack pressure on the steel plate directly under the engine.



- ① Jack
- ② Rear frame tube

DAILY CHECK

For your own safety and maximum service life of the vehicle, make a thorough daily inspection before starting the engine and operating the vehicle.



CAUTION

To avoid personal injury:

- Be sure to check and service the vehicle on a flat surface with the engine off and the parking brake "ON".

Periodic Service

■ Walk Around Inspection

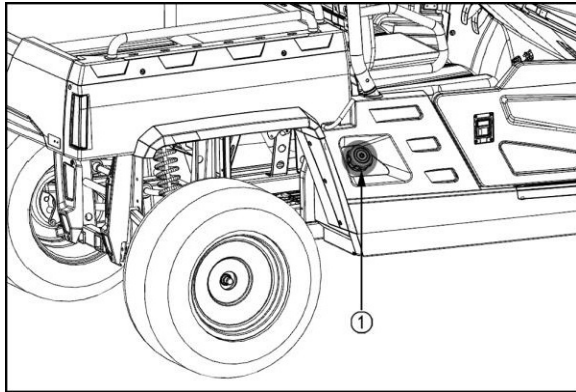
Look around and under the vehicle for such items as loose bolts, trash build-up, oil or coolant leaks, broken or worn parts.

■ Checking and Refueling



To avoid personal injury:

- Do not smoke while refueling.
 - Be sure to stop the engine before refueling.
1. Turn the key switch to “ON”, check the amount of fuel by the fuel gauge.
 2. Fill fuel tank when fuel gauge shows 1/4 or less fuel in tank.



① Fuel tank cap

Fuel tank capacity	28L (7.28± 0.1U.S.GALS)
--------------------	----------------------------

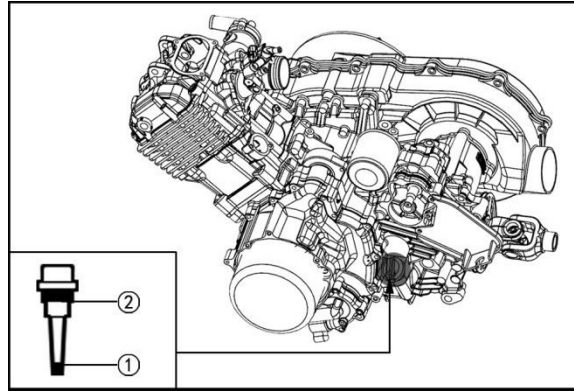
IMPORTANT

If oil level is low, do not run the engine.

Checking engine oil level

1. Park the vehicle on a flat surface with engine off, raise the cargo bed, mount the safety support.
2. To check the oil level, draw out the dipstick, wipe it clean, replace it, and draw it out again, check to see if the level is too low, add new oil

3. to the prescribed level on the dipstick.



- ① Oil Level
- ② Dipstick

IMPOTTANT

If oil level is low, do not run the engine

■ Checking Coolant Level

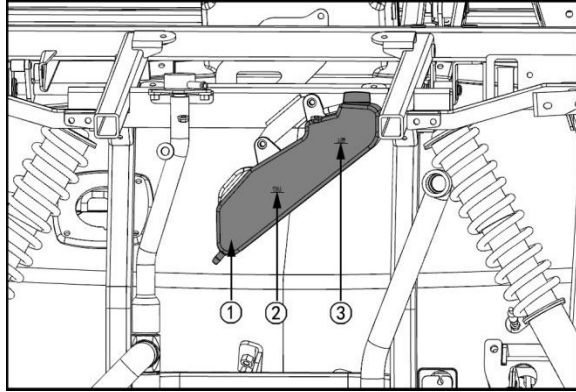


TO avoid personal injury

- Do not remove radiator cap while coolant is hot .when cool .slowly rotate to the first stop and allow sufficient time for excess pressure to escape removing the cap completely.

1. Park the vehicle on a flat surface, access the panel under the hood, set the parking brake, and shut off the engine.
2. Check to see that the coolant level is between the “FULL” and” LOW” marks of recovery tank.
3. When the coolant level drops due to evaporation, add water only up to the full level. In case of leakage add anti-freeze and water in the specified mixing ratio up to the full level.(see flush cooling system and changing coolant in EVERY 2 YEARS in PERIODIC SERVICE section)

Periodic Service



- ① Recovery tank
- ② FULL
- ③ LOW

IMPORTANT

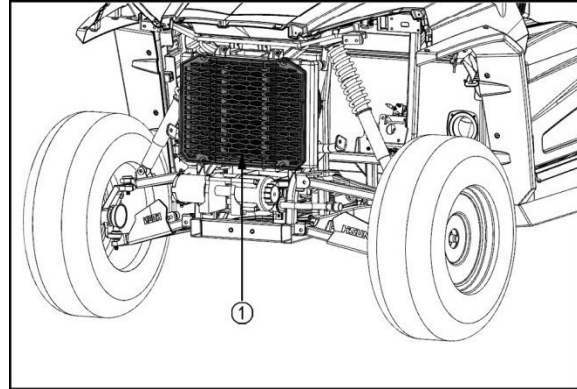
- If the radiator cap has to be removed, follow the cautions above and securely re tighten the cap.
- Use clean fresh water and anti-freeze to fill the recovery tank.
- If water should leak, consult your local Dealer.

■ Cleaning radiator screen

CAUTION

TO avoid personal injury:

- **Be sure to stop the engine before removing the screen**
1. Park the vehicle on a flat surface,
 2. Remove the radiator cover,
 3. Detach the screen and remove all foreign materials,



- ① Radiator screen

IMPORTANT

- Radiator screen must be cleaned from debris to prevent engine from overheating

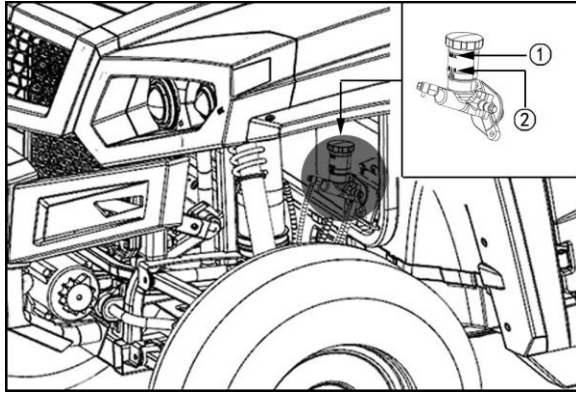
■ Checking brake fluid level

CAUTION

TO avoid personal injury:

- **Never operate the vehicle if the brake fluid is below the minimum mark.**
 - **Use only DOT3 from a sealed container. Other types of brake fluid may ruin synthetic resin or rubber installed in brake system components and may cause brake failure.**
 - **Avoid clean contamination of the brake fluid thoroughly before removing the filler cap. Do not open the brake fluid reservoir cap unless absolutely necessary.**
 - **Use extreme care when filling the reservoir. If brake fluid spill on power steering hose, wash off with water immediately, as brake fluid quickly ruins synthetic resin or rubber hoses.**
1. Check to see that the brake fluid level is up to the LOWER mark.
 2. If it is below the “LOWER” mark add brake fluid .

Periodic Service



① OIL CUP ② LOWER

■ Checking brake pedal

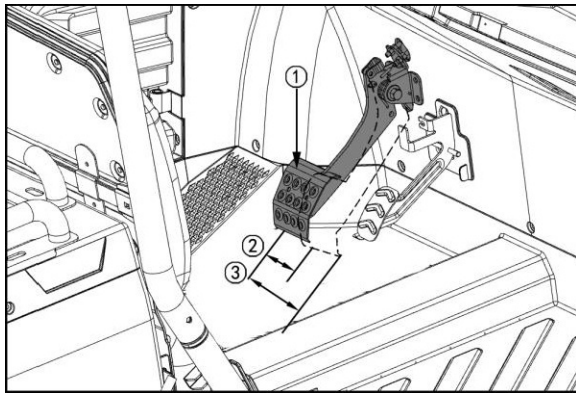


TO avoid personal injury:

- Stop the engine and chock the wheels before checking brake pedal.

1. Inspect the brake pedals for free play and smooth operation.

Adjust if incorrect measurement is found. (see checking brake pedal in "EVERY 200 HOURS in PERIODIC SERVICE" section)



① Brake pedal ② FREE TRAVEL

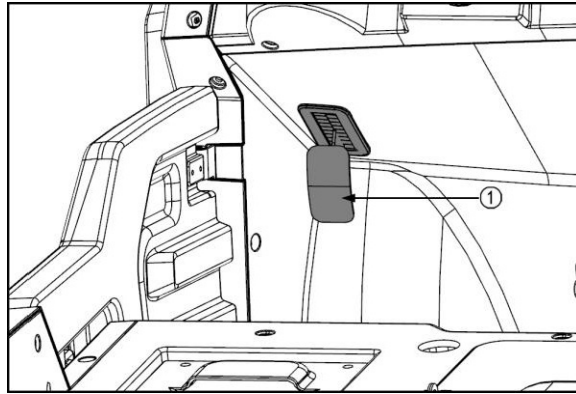
③ PEDAL STROKE

■ Checking parking brake

Pull the parking brake to apply the brakes with the key switch in the "ON" position and the parking brake indicator should come on.

To release the parking brake, depress the parking pedal.

Make sure the parking brake warning lamp on the display goes off when parking brake is applied.



① Parking brake

■ Checking gauges meter and easy checker™ lamps

1. Inspect the instrument panel for broken gauges meter and warning lamps.
2. Replace if broken.

■ Checking head light turn signal light etc

1. Inspect lights for broken bulbs and lenses
2. Replace if broken

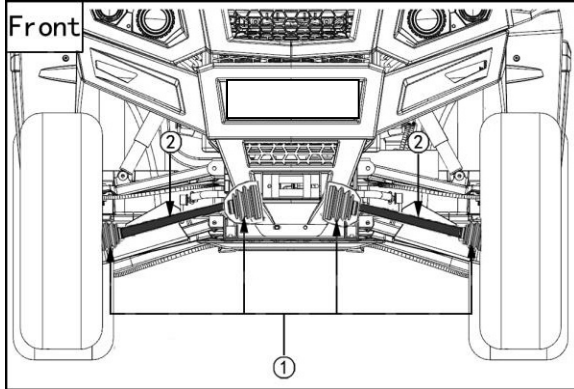
■ Checking seat belt and ROPS

1. Always check condition of seat belt and ROPS attaching hardware before operating vehicle.
2. Replace if damaged.

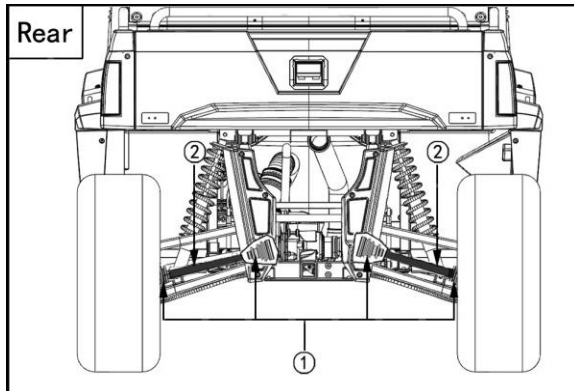
■ Checking joint boot

1. Check to see if the joint boots are damaged or not.
2. If the boots are cut crashed or show signs of deterioration, consult your local dealer.

Periodic Service



① joint boot ② Drive shaft



① Joint boot ② Drive shaft

■ Checking tire inflation pressure

Though the tire pressure is factory-set to the prescribed level, it naturally drops slowly in the course of time, thus check it every day and inflate as necessary.

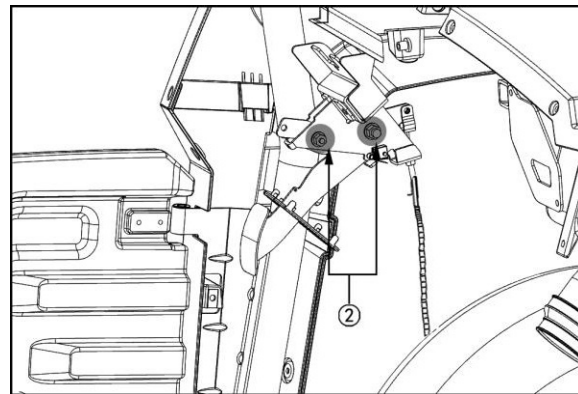
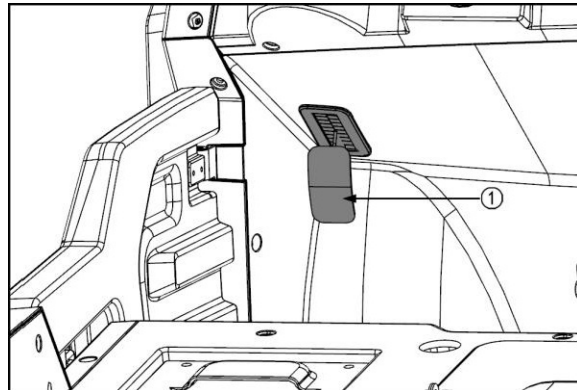
tire sizes	inflation pressure
Front: 26x9-14	100kPa (1.0kgf/cm ² , 14psi)
Rear: 26x11-14	100kPa (1.0kgf/cm ² , 14psi)

EVERY 50 HOURS

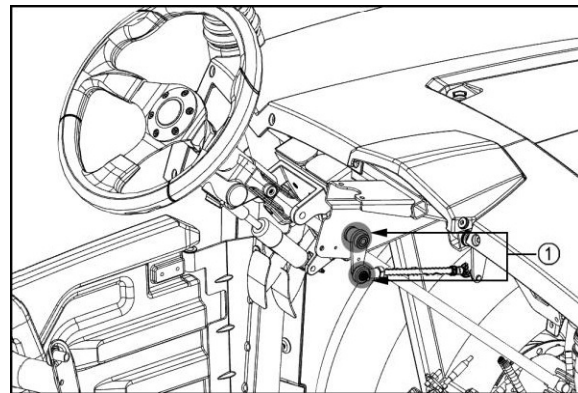
■ Greasing

Apply a small amount of multi-purpose grease to the following points every 50 hours. If you operated the vehicle in

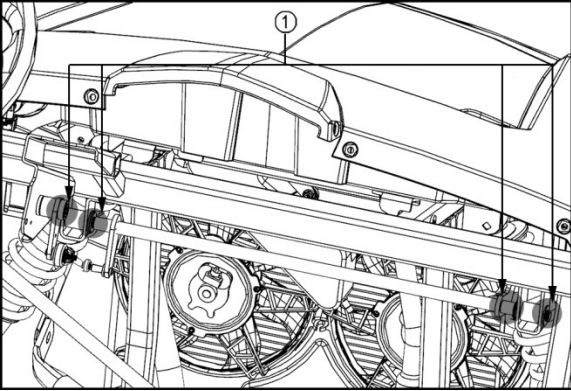
extremely wet and muddy conditions lubricate grease fittings more often.



① Parking brake
② Parking brake pivot (spray type grease)



Periodic Service



① Range gear shift lever pivot (spray type grease)

■ Checking engine start system



CAUTION

TO avoid personal injury

- Do not allow anyone near the vehicle while testing.
- If the vehicle does not pass the test, do not operate the vehicle.

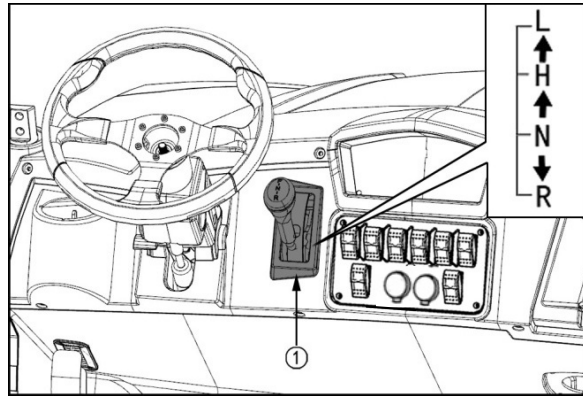
◆ Preparation before testing

1. Place all control levers in the “NEUTRAL” position.
2. Set the parking brake and stop the engine.

◆ Test gear shift range lever safety switch

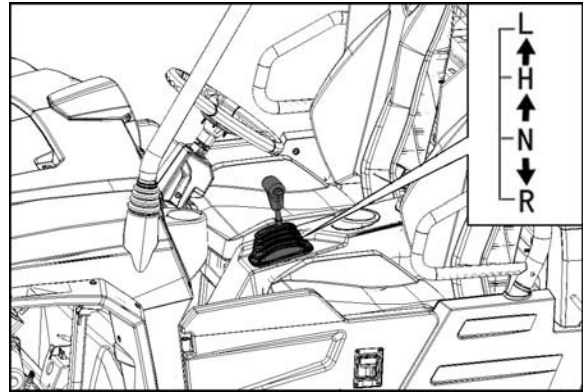
1. Sit on the operator’s seat.
2. Shift the range gear shift lever to: “L”, “H”, “N” or REVERSE position.
3. Turn the key to “START” position.
4. The engine must not crank.
5. If it cranks consult your local dealer for this service.

Bench seat



① Range gear shift lever

Bucket seat



① Range gear shift lever

■ Checking wheel bolt torque



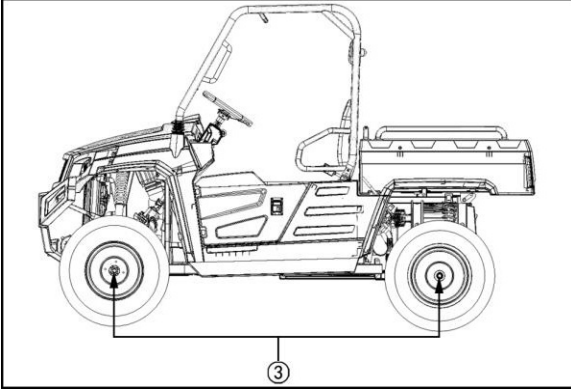
CAUTION

To avoid personal injury

- Never operate vehicle with a loose wheel bolts.
- Any time these bolts are loosened they should be retightened to the specified torque.
- Check all bolts frequently and keep them tight.

Check wheel bolts regularly especially when new if they are loose tighten them as follows:

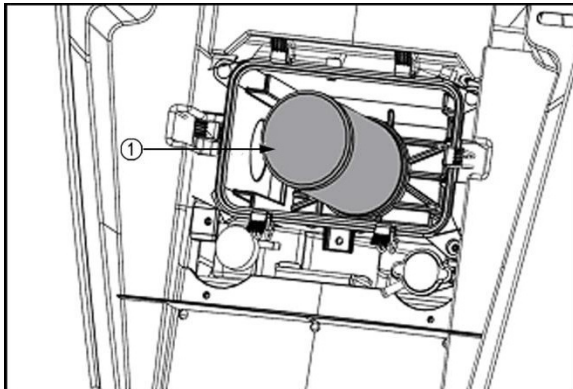
Periodic Service



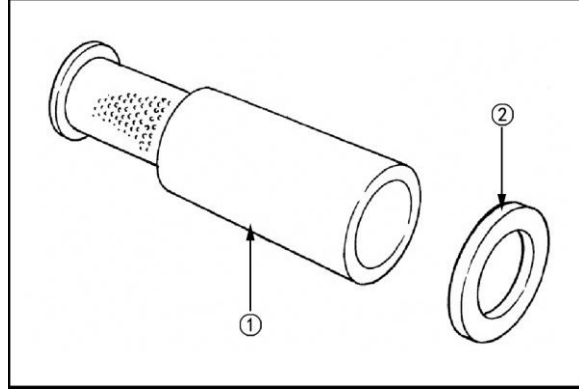
- ① Torque wheel bolts to 75 to 90 N.m

■ Cleaning air cleaner primary element

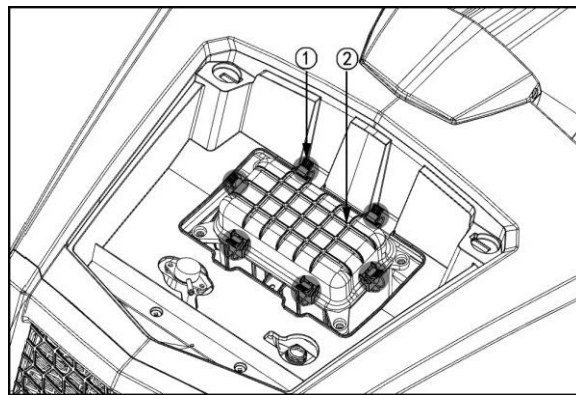
1. Remove the air cleaner cover and primary element.
2. Remove the sponge material from its frame.
3. Wash the sponge material gently but thoroughly in solvent.
4. Squeeze the excess solvent out of the sponge material and let it dry.
5. Inspect the sponge material and replace it if damaged.
6. Thoroughly apply foam air filter oil or other quality liquid foam air filter oil (not spray type) to the sponge material.
7. Re-install the air filter element.
8. Install the air filter case cover and be sure the crankcase breather hose is connected.



- ① Air filter element



- ① Air filter element ② Locating pad



- ① Holder (×6) ② Air filter case cover

IMPORTANT

- The air cleaner uses a dry element never apply oil.
- Do not run the engine with filter element removed.
- Be sure to refit the cover with the arrow (on the rear of cover) upright if the cover is improperly fitted the evacuator valve will not function and dust will adhere to the element.

◆ Evacuator Valve

Open the air cleaner cover once a week under ordinary conditions —or daily when used in a dusty place—to get rid of large particles of dust and dirt.

Check fuel line and fuel filter.

Periodic Service

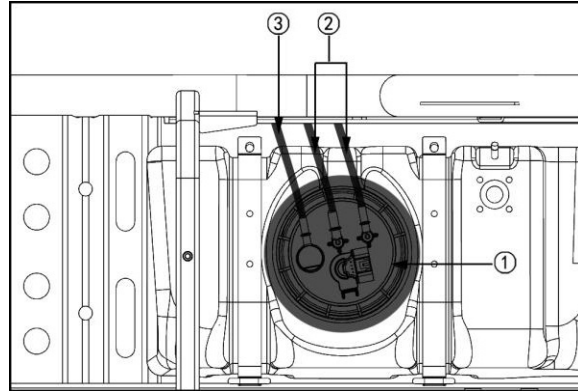
CAUTION

To avoid personal injury:

- Be sure to stop the engine and remove the key when attempting to make the following checks and changes.
 - Never fail to check the fuel lines periodically the fuel lines are subject to wear and aging fuel may leak out onto the running engine causing a fire.
 - The fuel line connections should be checked annually or every 100 service hours whichever comes first.
1. Park the vehicle on a flat surface and raise the cargo bed.
 2. The fuel line is made of rubber and ages regardless of service period.
 3. If the fuel line and clamps are found to be damaged or deteriorated replace them.
 4. Check fuel filter if it is clogged by debris or contaminated with water replace it.

IMPORTANT

When the fuel line is disconnected for maintenance or repair, close both ends of the fuel line with a piece of clean cloth or paper to prevent dust and dirt from entering. Particular, care must be taken not to admit dust and dirt into the fuel pump entrance. Even a small amount of dust or dirt cause premature wear and malfunction of the fuel pump and injector components.



- ① fuel pump ② fuel line
③ Exit pipe

■ Checking battery condition

DANGER

If you store a battery in a diminished state of charge you will probably have to replace the battery.

CAUTION

To avoid personal injury

- Never remove the battery while the engine is running.
- Keep electrolyte away from eyes, hands and clothes. If you are splattered with it, wash it away completely with water immediately and get medical attention.
- Wear eye protection and rubber gloves when working around the battery.

The factory –installed battery is non-refillable type if the battery is weak, charge the battery or replace it with new one.

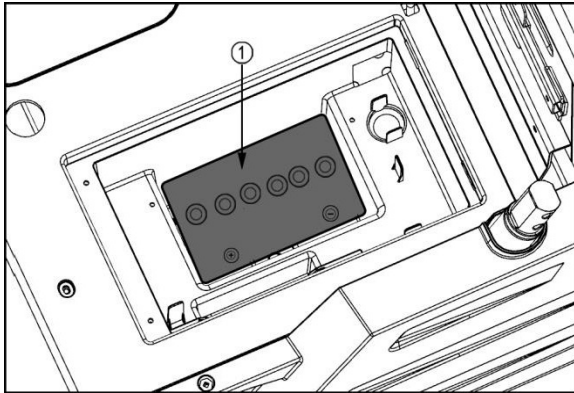
◆ Battery charging

CAUTION

To avoid personal injury

Periodic Service

- When the battery is being activated, hydrogen and oxygen gases in the battery are extremely explosive. keep open sparks and flames away from the battery at all times, especially when charging the battery.
- When disconnecting the cable from the battery start with the negative terminal first; when connection the cable to the battery start with the positive terminal first.
- Always check battery charge by using a voltmeter.



① Battery

1. To slow charge the battery connect the battery positive terminal to the charger positive terminal and the negative to the negative. then recharge in the standard fashion.
2. A boost charge is only for emergencies
3. When exchanging an old battery for a new one use battery of equal specification shown in table 1.

Battery type	Volts
12V32Ah	12

◆ Direction for storage

When storing the vehicle for a long period, remove the battery from the vehicle, store in a dry place out of direct sunlight.

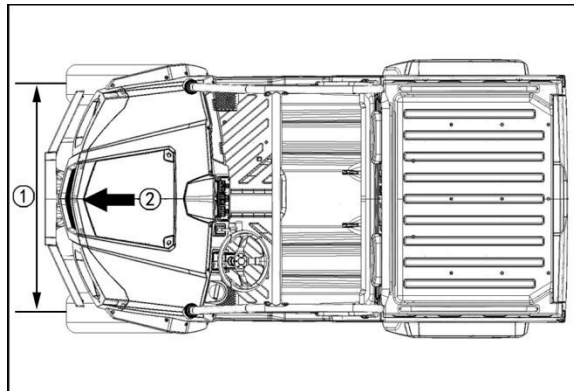
1. The battery shall self-discharge while it is stored recharge it once every three months in hot seasons and once every six months in cold seasons.

■ Adjusting toe-in

Proper toe-in	0 to 12 mm (0 to 0.47 in)
---------------	---------------------------

1. Park vehicle on flat place.
2. Turn steering wheel so front wheels are in the straight ahead position.
3. Lock the park brake and stop the engine.
4. Measure distance between front tire beads at rear of tire at hub height.
5. Front distance should be shorter than rear distance if not adjust tie rod length.

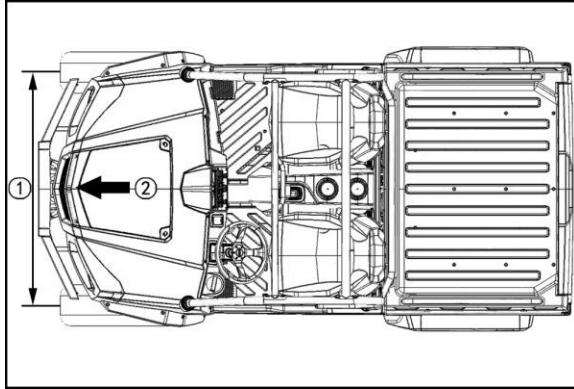
Bench seat



- ① Wheel-to-wheel distance at front
- ② FRONT

Bucket seat

Periodic Service



- ① Wheel-to-wheel distance at front
- ② FRONT

◆ Adjusting procedures

1. Loosen the lock nut and turn the tie rod to adjust the rod length until the proper toe-in measurement is obtained.
2. Retighten the lock nut.

IMPORTANT

- Keep the equal length of the left and right tie-rod.

■ Cleaning Muffler

⚠ CAUTION

To avoid personal injury:

- Before touching any part of an exhaust system, be absolutely sure that it has sufficient time to cool!
- Always wear safety goggles and face mask.
- The particulate matter contained in the muffler contains chemicals that are harmful to people, animals and marine life.
- If you are unable to do this work, have it done by your dealer.
- Cleaning spark arrester of muffler.

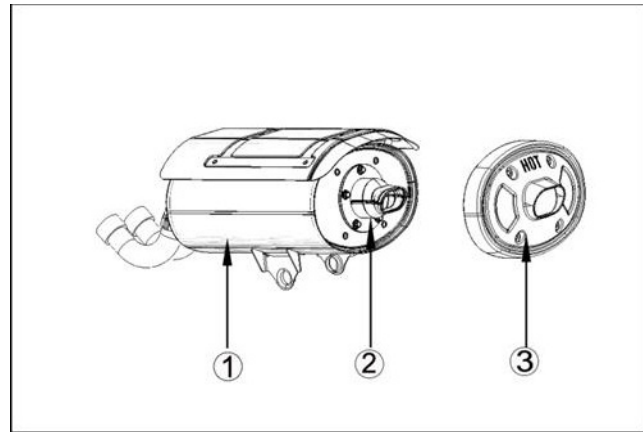
Maintenance & cleanout procedure:

The screen type spark arrester should be removed, cleaned, and inspected after every 100 hours of use.

1. The spark arrester is located inside of muffler body, and fastened with bolts.
2. Loosen the bolts and remove the spark arrester.
3. Shake loosened particles out of the screen assembly and lightly clean the screen with wire brush. Soak in solvent and again clean with wire brush if necessary.
4. If any breaks in the screen or welds are discovered, the assembly must be replaced.
5. Return the spark arrester to the muffler body and refasten the bolts.

IMPORTANT:

- Visually check the muffler for cracks or holes in the body, weldment or pipes at regular intervals.
- USDA approval requires clearance between spark arrester sleeve and muffler body to be no larger than 0.023"(0.584 mm).
- Replace the entire muffler if it is damaged.
- Do not operate the vehicle with a damaged muffler.



- ① Muffler
- ② Spark arrester
- ③ Back cover

Periodic Service

EVERY 200 HOURS

■ Changing Engine Oil

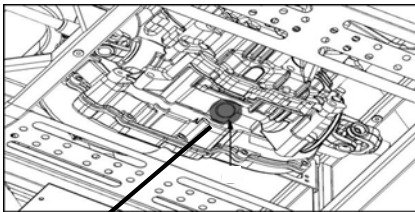
CAUTION

To avoid personal injury:

- Be sure to stop the engine before replacing oil.
- Allow engine to cool down sufficiently, oil can be hot and can burn.

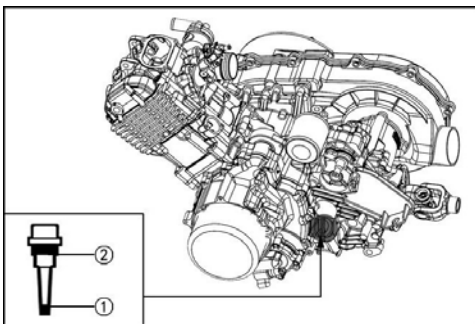
1. Park the vehicle on flat surface and raise the cargo bed.
2. To drain the used oil, remove the drain plug at the bottom of the engine and completely drain the oil into an oil pan.
3. After draining, reinstall the drain plug.
4. Fill with the new oil up to the upper notch on the dipstick.

(See “LUBRICANTS, FUEL AND COOLANT” in “MAINTENANCE” section)



drain plug

Oil capacity	[Filter exchanged]	1.8L (1.89U.S. qts.)
	[Filter non-exchanged]	1.6L (1.68U.S. qts.)



① Oil Level

② Dipstick

■ Replacing Engine Oil Filter

CAUTION

To avoid personal injury:

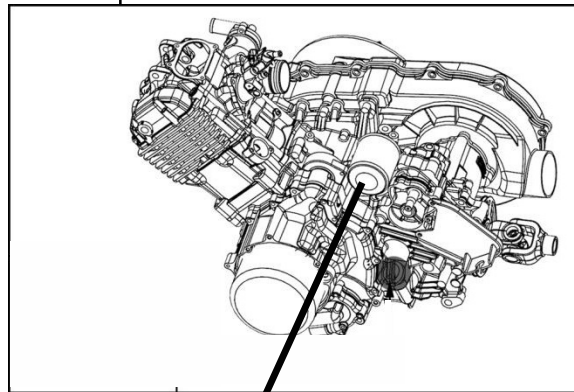
- Be sure to stop the engine before changing the oil filter cartridge.
- Allow engine to cool down sufficiently,

Oil can be hot and can burn.

1. Park the vehicle on a flat surface, remove the seat and open the adjust hatch cover.
2. Remove the oil filter.
3. Put a film of clean engine oil on the rubber seal of the new filter.
4. Tighten the filter quickly until it contacts the mounting surface.

Tighten filter by hand an additional 1/2 turn only.

5. After the new filter has been replaced, the engine oil normally decreases a little. Make sure that the engine oil does not leak through the seal and check the oil level on the dipstick. Then replenish the engine oil up to the prescribed level.



④ Engine oil filter

IMPORANT:

- To prevent serious damage to the engine, use only a genuine filter.

Periodic Service

■ Checking Brake Pedal

⚠ CAUTION

- Stop the engine and chock the wheels before checking brake pedal.
- If movement is outside of the specifications contact your local dealer for adjusting the brake.

◆ Checking the brake pedal free travel

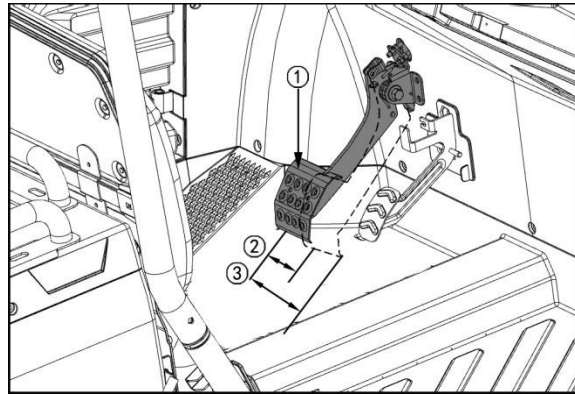
Proper brake pedal free travel	7 to 14mm (0.3 to in.)On the pedal
-----------------------------------	---------------------------------------

1. Release the parking brake.
2. Slightly depress the brake pedal and measure free travel at the top of the pedal stroke.
3. If brake pedal free travel is outside of the specifications, contact your local dealer for adjusting the brake.

◆ Checking the brake pedal stroke

Pedal stroke	Less than 120mm (4.7in.) On the pedal
--------------	--

1. Release the parking brake.
2. Step on the pedal and measure the pedal stroke.
3. If brake pedal stroke is outside of the specifications, contact your local dealer for adjusting the brake



- ① Brake pedal
② "FREE TRAVEL" ③ "PEDAL STROKE"

■ Checking Brake Hose and Pipe

1. Check to see that brake hose and lines are not swollen, hardened or cracked.
2. Check the brake hose and pipe joints for oil leaks.
3. If there is any abnormality, consult your local dealer for this service.

■ Checking Brake Light Switch

Turn the key switch to the "ON" position.
Step on the brake pedal to check if the brake

Periodic Service

EVERY 500 HOURS

■ Replacing Fuel Filter

Consult your local dealer for this service.

EVERY 600 HOURS

■ Adjusting Engine Valve Clearance

Consult your local dealer for this service.

EVERY 1500 HOURS

■ Checking Injection and Fuel Pump

Consult your local dealer for this service.

EVERY 1 YEAR

■ Replacing Air Cleaner Primary Element and Secondary Element

(See "Cleaning Air Cleaner Primary Element" in "every 100 HOURS" in "PERIODIC SERVICE" section.)

EVERY 2 YEARS

■ Changing Brake Fluid

Consult your local Dealer for this service.

(See "Checking Brake Fluid Level" in "DAILY CHECK" in "PERIODIC SERVICE" section.)

■ Flushing Cooling System and Changing Coolant



To avoid personal injury:

- Do not remove the radiator cap while coolant is hot. When cool, slowly rotate cap to the first stop and allow sufficient time for excess pressure to escape before removing the cap completely.
1. Stop the engine and let it cool down.
 2. To drain the coolant, open the radiator drain plug and remove radiator cap. The radiator cap must be removed to completely drain the coolant.
 3. After all coolant is drained, close the drain plug.
 4. Fill with clean water and cooling system cleaner.
 5. Follow directions of the cleaner container.
 6. After flushing, fill with clean water and anti-freeze until the coolant level is just below the radiator cap.
- Install the radiator cap securely.
7. Fill with fresh water up to the "FULL" mark on the recovery tank.
 8. Start and operate the engine for few minutes.
 9. Stop the engine and let cool.
 10. Check coolant level of recovery tank and coolant if necessary.

Coolant capacity	1.8L (1.89 U.S.qts.)
------------------	----------------------

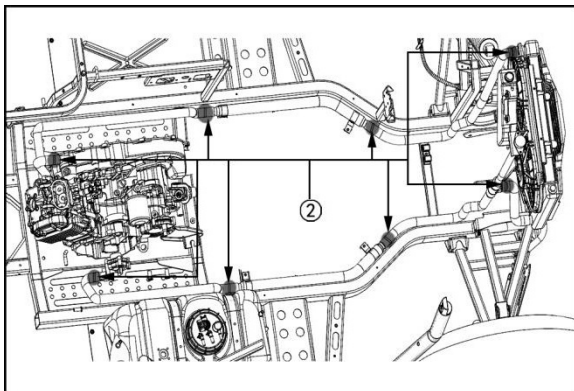
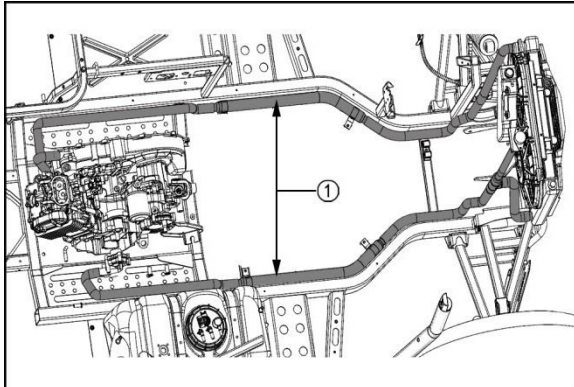
Periodic Service

3. light comes on.
4. If it does not, check the bulb or brake light switch.

■ Checking Radiator Hose and Clamp

Park the vehicle on a flat surface and raise the cargo bed. Check to see if radiator hoses are properly fixed every 200 hours of operation or six months, whichever comes first.

1. If hose clamps are loose or water leaks, tighten bands securely.
2. Replace hoses and tighten hose clamps securely, if radiator hoses are swollen, hardened or cracked. Replace hoses and hose clamps every 2 years or earlier, if checked and found that hoses are swollen, hardened or cracked.



① Radiator hose ② Clamp bands

◆ Precaution at Overheating

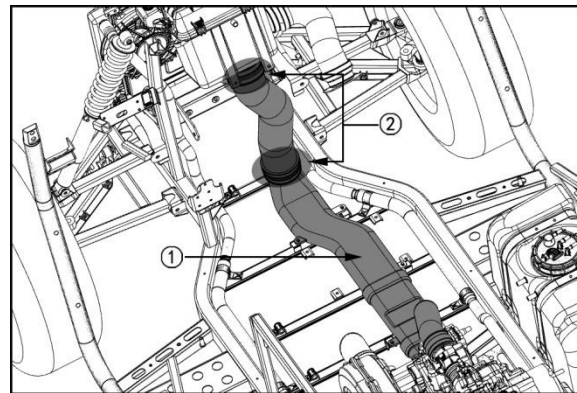
Take the following actions in the event the coolant temperature is close to or

more than the boiling point, which is called "Overheating".

1. Stop the vehicle operation in a safe place and keep the engine unloaded idling.
2. Don't stop the engine suddenly, but stop it after about 5 minutes of unloaded idling.
3. Keep yourself well away from the vehicle for at least 10 minutes or while the steam is blowing out.
4. Check to see if there is no danger such as burning, get rid of the causes of overheating according to the "TROUBLESHOOTING" section of the manual, and then start the engine again.

■ Checking Intake Air Line

1. Check to see if the hoses and hose clamps are tight and not damaged.
2. If hoses and clamps are found to be worn or damaged, replace or repair them at once.



① Hose ② Hose joint

EVERY 300 HOURS

■ Checking Tire

1. Check to see if tires are not damaged.
2. If the tires are cracked, bulged, or cut, or they are worn out, replace or repair them at once.

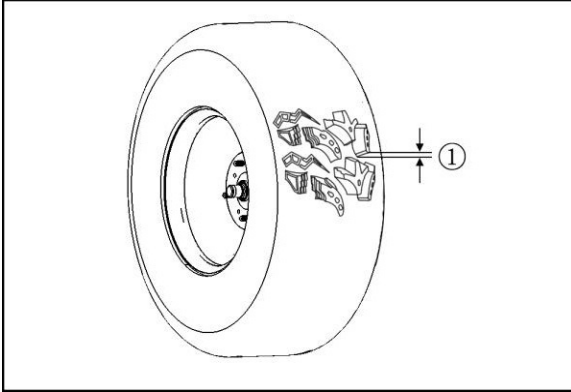
① Drain plug

IMPORTANT:

Periodic Service

◆ Tire Tread Depth

Always replace the tires when the tread depth is worn to minimum allowable.



① 3mm(0.12in)

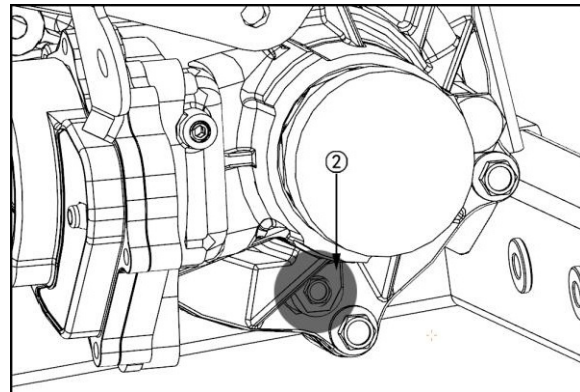
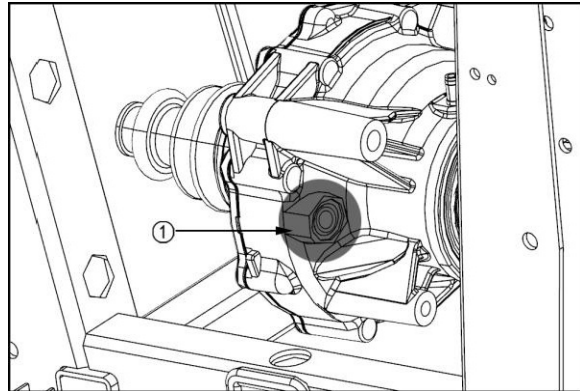
EVERY 400 HOURS

■ Changing Transmission Fluid

■ Changing Front and Rear Axle Case Oil

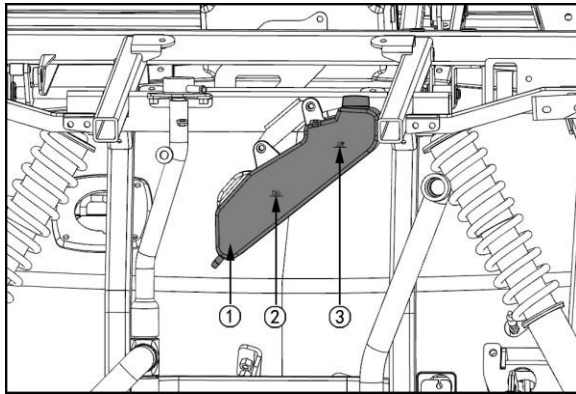
1. Park the vehicle on a firm, flat and level surface.
2. To drain the used oil, remove the drain the oil completely into the oil pan.
3. Fill with the new oil up to the upper notch on the dipstick.
(See "LUBRICANTS, FUEL AND COOLANT" in "MAINTENANCE" section.)
4. After filling, reinstall the filling plug.

Oil capacity for front axle case	0.28L (0.072U.S.gals.)
Oil capacity for rear axle case	0.20L (0.052U.S.gals.)



- ① Front axle case drain plug
② Rear axle case drain plug

Periodic Service



- ① Recovery tank
- ② " FULL "
- ③ " LOW "

IMPORTANT:

- Do not start engine without coolant.
- Use clean, fresh water and anti-freeze to fill the radiator and recovery tank.
- When the anti-freeze is mixed with water, the antifreeze mixing ratio must be less than 50%.
- Securely tighten radiator cap. If the cap is loose or improperly fitted, water may leak out and the engine could overheat.

■ Anti-Freeze



To avoid personal injury:

- When using antifreeze, put on some protection such as rubber gloves.(Antifreeze contains poison.)
- If you should drink antifreeze, throw up at once and take medical attention.
- When antifreeze comes in contact with the skin or clothing, wash it off immediately.
- Do not mix different types of Antifreeze. The mixture can produce chemical reaction causing harmful substances.
- Antifreeze is extremely flammable and explosive under certain conditions. Keep fire and children away from antifreeze.

When draining fluids from the engine, place

some container underneath the engine body.

- Do not pour waste onto the grounds, down a drain, or into any water source.
- Also, observe the relevant environmental protection regulations when disposing of antifreeze.

If it freezes, coolant can damage the cylinders and radiator. If the ambient temperature falls below 0°C(32°F) or before a long-term storage, let out cooling water completely, or mix fresh water with long-life coolant and fill the radiator and recovery tank with the mixture. •

1. Long-life coolant (hereafter LLC) comes in several types. Use ethylene glycol(EG) type for this engine.
2. Before employing LLC-mixed cooling water, fill the radiator with fresh water and empty it again.
Repeat this procedure 2 or 3 times to clean up the inside.
3. Mixing the LLC
4. The procedure for the mixing of water and antifreeze differs according to the make of the antifreeze and the ambient temperature. Refer to SEA J1034 standard, more specifically also to SAE J814c.

IMPORTANT:

- When the antifreeze is mixed with water, the antifreeze mixing ratio must be less than 50%.

VOL%	Freezing point		Boiling point	
	°C	°F	°C	°F
40	-24	-12	106	222
50	-37	-34	108	226

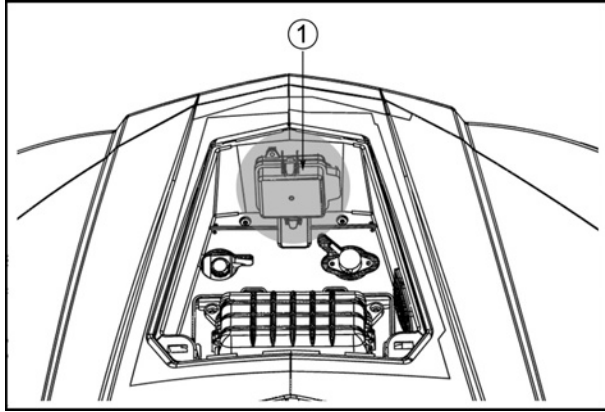
*At 1.013×10⁵Pa (760mmHg) pressure (atmospheric).

A higher boiling point is obtained by using a radiator pressure cap which permits the development

Periodic Service

<p>of pressure within the cooling system.</p> <ol style="list-style-type: none">5. Adding the LLC<ol style="list-style-type: none">1) Add only water if the mixture reduces in amount by evaporation.2) If there is a mixture leak, add the LLC of the same manufacturer and type in the same mixture percentage.<ul style="list-style-type: none">* Never add any long-life coolant of different manufacturer.(Different brands may have different additive components, and the engine may fail to perform as specified.)6. When the LLC is mixed, do not employ any radiator cleaning agent. The LLC contains anticorrosive agent. If mixed with the cleaning agent, sludge may build up, adversely affecting the engine parts.7. The vehicle's genuine long-life coolant has a service life of 2 years. Be sure to change the coolant every 2 years. <p>NOTE:</p> <ul style="list-style-type: none">● The above data represent industry standards that necessitate a minimum glycol content in the concentrated antifreeze.● When the coolant level drops due to evaporation, add water only to keep the antifreeze mixing ratio less than 50%. In case of leakage, add antifreeze and water in the specified mixing ratio before filling into the radiator. <p>■ Replacing Radiator Hose (Water pipes) Replace the hoses and clamps. (See "Checking Radiator Hose and Clamp" in "EVERY 200 HOURS" in "PERIODIC SERVICE" section.)</p> <p>■ Replacing Fuel Hose Consult your local HUANSONG Dealer for</p>	<p>This service.</p> <p>■ Replacing Brake Master Cylinder (Inner parts) Consult your local dealer for this service.</p> <p>■ Replacing Front Brake Seal Consult your local dealer for this service.</p> <p>■ Replacing Rear Brake Cylinder Seal Consult your local dealer for this service.</p> <p>■ Replacing Intake Air Line Consult your local dealer for this service.</p> <p>EVERY 4 YEARS</p> <p>■ Replacing Brake Hose Consult your local Dealer for this service.</p> <p>■ Replacing Mini Fuses The Mini fuses are intended to protect the electrical cabling. If any of them have blown out, be sure to pinpoint the cause.</p> <p>◆ Replacing procedure</p> <ol style="list-style-type: none">1) Disconnect the negative cable of the battery.2) Open the Mini fuse box cover.3) Pull out the Mini fuse.4) Insert a new Mini fuse into the box.5) Close the Mini fuse box cover.6) Connect the negative battery cable.
--	---

Periodic Service



① Slow-blow fuse box cover

■ Replacing Light Bulb

- Head lights
Take the bulb out of the light body and replace it with a new one.
- Other lights
Detach the lens and replace the bulb

Light	Capacity
Head lights	2x55W
Tail light	LED 0.5W
Brake light	LED 1W
Instrument panel light	1W

STORAGE

⚠ CAUTION

To avoid personal injury:

- Do not clean the vehicle when the engine is running.
- To avoid the danger of exhaust fume poisoning, do not operate the engine in a closed building without proper ventilation.
- When storing, remove the key from the key switch to avoid unauthorized persons from operating the vehicle and getting injured.

VEHICLE STORAGE

If you intend to store your vehicle for an extended period of time, follow the procedures outlined below.

These procedures will insure that the vehicle is ready to operate with minimum preparation when it is removed from storage.

1. Check the bolts and nuts for looseness. and tighten if necessary.
2. Apply grease to vehicle areas where bare metal will rust also to pivot areas.
3. Unload from cargo bed.
4. Inflate the tire to a pressure a little higher than usual.
5. Charge the engine oil and run the engine to circulate oil throughout the engine block and internal moving parts for about 5 minutes.
6. With all implements lowered to the ground, coat any exposed rods with grease (if equipped).
7. Remove the battery from the vehicle. Store the battery following the battery

Periodic Service

storage procedures.

8. Keep the vehicle in a dry place where the vehicle is sheltered from the elements. Cover the vehicle.
9. Keep the vehicle indoors in a dry area that is protected from sunlight and excessive heat. If the vehicle must be stored outdoors. Cover it with a waterproof tarpaulin.
Put boards under the tires to keep dampness away from tire.
Keep the tires out of direct sunlight and extreme heat.

IMPORTANT:

- When washing the vehicle, be sure to stop the engine.
Allow sufficient time for the engine to cool before washing.
- Do not wash with a high-pressure car-washing machine.
- Cover the vehicle after the muffler and the engine have cooled down.

REMOVING THE VEHICLE FROM STORAGE

1. Check the tire air pressure and inflate the tires if they are low.
2. Install battery before installing the battery, Be sure it is fully charged.
3. Check to see if the fan works.
4. Check all fluid levels (engine oil, transmission oil, engine coolant, transmission coolant and any attached implements).
5. Start the engine. Observe all gauges. If all gauges are functioning properly and reading normal, move the vehicle outside.

- Once outside, park the vehicle and let the engine idle for at least five minutes. Shut the engine off and work around vehicle and make a visual inspection looking for evidence of oil or water leaks.
6. With the engine fully warm up. Release the parking brake and test the brakes for proper adjustment as you move forward. Adjust the brake as necessary.

Troubleshooting

ENGINE TROUBLESHOOTING

If something is wrong with the engine, refer to the table below for the cause and its corrective countermeasure.

Trouble	Cause	Countermeasure
Engine is difficult to start or cannot start.	<ul style="list-style-type: none"> No fuel flow 	<ul style="list-style-type: none"> Check the fuel tank and fuel filter. Check the electric fuel pump. Check the injector. Check the ECU with Motor Scan KF90121. Replace filter electric fuel pump injector and ECU If necessary.
	<ul style="list-style-type: none"> Water is in the fuel system 	<ul style="list-style-type: none"> Check to see if the fuel tank cover is tight.
	<ul style="list-style-type: none"> In winter, oil viscosity increases, and Engine revolution is slow. 	<ul style="list-style-type: none"> Use oils of different viscosities, depending on ambient temperatures.
	<ul style="list-style-type: none"> Battery becomes weak and the engine does not turn over quick enough. 	<ul style="list-style-type: none"> Clean battery cables and terminals. Charge the battery. In cold weather (-15°C), always remove the battery from the vehicle, charge and store it indoors. install it on the vehicle only when the vehicle is going to be used.
Engine power is insufficient	<ul style="list-style-type: none"> Insufficient fuel. The injector is clogged. Crankshaft position sensor is bad. The air cleaner is clogged. Spark plug is dirty or fouled. Ignition coil is bad. 	<ul style="list-style-type: none"> Check the fuel system. Clean or replace the injector. Replace crankshaft position sensor. Clean or replace the air cleaner. Clean or replace the spark plug. Replace the ignition coil.
Engine stops suddenly	<ul style="list-style-type: none"> Check with the diagnostic instrument (Motor Scan KF90121). 	
Engine overheats	<ul style="list-style-type: none"> Engine overloaded 	<ul style="list-style-type: none"> Shift to lower gear or reduce load.
	<ul style="list-style-type: none"> Low coolant level. 	<ul style="list-style-type: none"> Fill cooling system to the correct level; Check radiator and hoses for loose connections or leaks.
	<ul style="list-style-type: none"> The motor driven fan does not turn. 	<ul style="list-style-type: none"> Check to see if the fuse is not blown. Check the electric system.
	<ul style="list-style-type: none"> Dirty radiator core or grille screens. 	<ul style="list-style-type: none"> Remove all trash.
	<ul style="list-style-type: none"> Coolant flow route corroded. 	<ul style="list-style-type: none"> Flush cooling system.

If you have any questions, consult your local dealer.

Troubleshooting

Diagnostic Trouble Code Table

Mt05	ECU	Malf	Code
Table:23			
Malf code in MT05		Description	
P0107		MAP Circuit Low Voltage or Open	
P0108		MAP Circuit High Voltage	
P0112		IAT Circuit Low Voltage	
P0113		IAT Circuit High Voltage or Open	
P0117		Coolant/Oil Temperature Sensor Circuit Low Voltage	
P0118		Coolant/Oil Temperature Sensor Circuit High Voltage or Open	
P0122		TPS Circuit Low Voltage or Open	
P0123		TPS Circuit High Voltage	
P0131		O2A Circuit Low Voltage	
P0132		O2A Circuit High Voltage	
P0031		O2A Heater Circuit High Voltage	
P0032		O2A Heater Circuit Low Voltage	
P0201		Injector 1 Circuit Malfunction	
P0202		Injector 2 Circuit Malfunction	
P0230		FPR Coil Circuit Low Voltage or Open	
P0232		FPR Coil Circuit High Voltage	
P0336		CKP Sensor Noisy Signal	
P0337		CKP Sensor No Signal	
P0351		Cylinder 1 Ignition Coil Malfunction	
P0352		Cylinder 2 Ignition Coil Malfunction	
P0505		Idle Speed Control Error	
P0562		System Voltage Low	
P0563		System Voltage High	
P0650		MIL Circuit Malfunction	
P1693		Tachometer Circuit Low Voltage	
P1694		Tachometer Circuit High Voltage	

If you have any questions, consult your local dealer.

Troubleshooting

BATTERY TROUBLESHOOTING

Trouble	Cause	Countermeasure	Preventive measure
Starter does not function	<ul style="list-style-type: none"> Battery overused until lights are dim. 	<ul style="list-style-type: none"> Charge the battery sufficiently. 	<ul style="list-style-type: none"> Charge the battery properly.
	<ul style="list-style-type: none"> Battery has not been recharged. 		
	<ul style="list-style-type: none"> Poor terminal connection 	<ul style="list-style-type: none"> Clean the terminal and tighten securely. 	<ul style="list-style-type: none"> Keep the terminal clean and tight. Apply grease and treat with anti-corrosive.
	<ul style="list-style-type: none"> Battery life expired 	<ul style="list-style-type: none"> Replace new battery 	
From beginning starter does not function, and lights soon become dim	<ul style="list-style-type: none"> Insufficient charging 	<ul style="list-style-type: none"> Charge battery Insufficiently 	<ul style="list-style-type: none"> Battery must be serviced properly before initial use
When viewed from the top of plates, look whitish. * Refillable type battery only	<ul style="list-style-type: none"> Battery was used with an insufficient amount of electrolyte. 	<ul style="list-style-type: none"> Add distilled water and charge the battery. 	<ul style="list-style-type: none"> Regularly check the electrolyte level.
	<ul style="list-style-type: none"> Battery was used with too much without recharging. 	<ul style="list-style-type: none"> Charge battery Insufficiently 	<ul style="list-style-type: none"> Charge battery properly
Recharging is impossible.	<ul style="list-style-type: none"> Battery life expired. 	<ul style="list-style-type: none"> Replace battery. 	
Terminals are severely corroded and heat up.	<ul style="list-style-type: none"> Poor terminal connection 	<ul style="list-style-type: none"> Clean the terminal and tighten securely. 	<ul style="list-style-type: none"> Keep the terminal clean and tight. Apply grease and treat with anti-corrosives.
Battery electrolyte level drops rapidly. * Refillable type battery only	<ul style="list-style-type: none"> There is a crack or pin holes in the electrolytic cells. 	<ul style="list-style-type: none"> Replace battery. 	
	<ul style="list-style-type: none"> Charging system trouble. 	<ul style="list-style-type: none"> Consult your local dealer. 	

- If you have any questions, consult your local dealer.
- The factory installed battery is non-refillable type.

Troubleshooting

MACHINE TROUBLESHOOTING

Trouble	Cause	Countermeasure
Non agility for Gearshift	<ul style="list-style-type: none"> ● High idling speed of engine 	<ul style="list-style-type: none"> ● Replace throttle cable; ● Replace throttle pedal ● Replace the throttle
	<ul style="list-style-type: none"> ● High rotary speed for clutch connection. 	<ul style="list-style-type: none"> ● Replace the junior clutch spring; ● Replace the primary clutch.
	<ul style="list-style-type: none"> ● Non good adjust for gearshift stay wire. 	<ul style="list-style-type: none"> ● Put the gearshift rod into the position of "N". ● Put the gearshift arm of engine into "N". ● Adjust the stay wire and the bolt. ● Lock tightly.
	<ul style="list-style-type: none"> ● Gear abrasion 	<ul style="list-style-type: none"> ● Replace the gears
Transmission noise	<ul style="list-style-type: none"> ● Big matching clearance for the inner and outside gears of transmission shaft 	<ul style="list-style-type: none"> ● Replace the gears
	<ul style="list-style-type: none"> ● Big clearance of transmission gears. 	<ul style="list-style-type: none"> ● Replace the gears
	<ul style="list-style-type: none"> ● Non good connection of gear end face 	<ul style="list-style-type: none"> ● Replace the gears
Less vehicle power	<ul style="list-style-type: none"> ● Parking brake 	<ul style="list-style-type: none"> ● Loosen the lay-up rod
	<ul style="list-style-type: none"> ● Non full Uncoupling for disc brake 	<ul style="list-style-type: none"> ● Contact the distributor.
	<ul style="list-style-type: none"> ● CVT transmission sliding 	<ul style="list-style-type: none"> ● Removing the grease for the clutch. ● Replace CVT transmission belt ● Replace the clutch.
No good brake or noise	<ul style="list-style-type: none"> ● Less brake oil 	<ul style="list-style-type: none"> ● Check the braking oil level
	<ul style="list-style-type: none"> ● Air inside the braking system. 	<ul style="list-style-type: none"> ● Contact the distributor.
	<ul style="list-style-type: none"> ● Brake discs abrasion 	<ul style="list-style-type: none"> ● Contact the distributor.
	<ul style="list-style-type: none"> ● Assembling bolt of disc plate loose 	<ul style="list-style-type: none"> ● Lock tightly
	<ul style="list-style-type: none"> ● Assembling bolt for disc brake clippers loose 	<ul style="list-style-type: none"> ● Lock tightly

If you have any questions, consult your local dealer.

Hisun Motors Corp., U.S.A. Emission Control System Warranty Statement

YOUR WARRANTY RIGHTS AND OBLIGATIONS

The U.S. Environmental Protection Agency and **Hisun Motors Corp., U.S.A.** (hereinafter "**HISUN**") are pleased to explain the emission control system warranty on your Off-Road vehicle. New off-road motor vehicles must be designed, built and equipped to meet U.S. EPA Federal and California anti-smog standards. HISUN must warrant the emission control system on your vehicle for 5,000 km, or at least 30 months, whichever comes first, provided that there has been no abuse, neglect or improper maintenance of your vehicle. This off-road vehicle was designed to meet the emission standards for 10,000 km, or five years, whichever comes first.

Your emission control system warranty covers components whose failure would increase an engine's emissions of any regulated pollutant

Where a warrantable condition exists, HISUN will repair your vehicle at no cost to you, including diagnosis, parts and labor.

If an emission-related part on your vehicle is defective, the part will be repaired or replaced by HISUN. This is your EMISSION CONTROL SYSTEM WARRANTY.

NOTICE! Use of this vehicle in any type of competitive event completely and absolutely voids this and all other warranties offered by HISUN.

OWNER'S WARRANTY RESPONSIBILITIES

As the vehicle owner, you are responsible for the performance of the required maintenance listed in your owner's manual. HISUN recommends that you retain all receipts covering maintenance on your vehicle, but HISUN cannot deny warranty solely for the lack of receipts or for your failure to ensure the performance of all scheduled maintenance.

You are responsible for presenting your vehicle to the HISUN dealer as soon as a problem exists. The warranty repairs should be completed in a reasonable amount of time, not to exceed 30 days.

As the vehicle owner, you should be aware that HISUN may deny your warranty coverage if your vehicle or a part has failed due to abuse, neglect, improper maintenance or unapproved modifications.

If you use your vehicle in any type of competitive event, this warranty is immediately and completely void.

If you have any questions regarding your warranty rights and responsibilities, you should contact Hisun Motors Corp., U.S.A., 310 E, University Drive, McKinney, TX 75069 (Phone: 972-446-0760 or Toll Free: 877-838-6188), or the U.S. Environmental Protection Agency at 2000 Traverwood Drive, Ann Arbor, MI 48105.



Hisun Motors Corp., U.S.A. Limited Warranty on Emission Control System

YOUR WARRANTY RIGHTS AND OBLIGATIONS

Hisun Motors Corp., U.S.A. warrants that each new off-road vehicle:

- A. is designed, built and equipped so as to conform at the time of initial retail purchase with all applicable regulations of the United States Environmental Protection Agency, and
- B. is free from defects in material and workmanship which cause such vehicle to fail to conform to applicable regulations of the United States Environmental Protection Agency for the periods specified above.

I. Coverage. Warranty defects shall be remedied during customary business hours at any authorized HISUN dealer located within the United States of America in compliance with the Clean Air Act and applicable regulations of the United States Environmental Protection Agency. Any part or parts replaced under this warranty shall become the property of HISUN.

II. Limitations This Emission Control System Warranty shall not cover any of the following:

- A.** Repair or replacement as a result of
- (1) accident,
 - (2) misuse,
 - (3) repairs improperly performed or replacements improperly installed, unless performed by a HISUN authorized dealer,
 - (4) use of improper replacement parts or accessories not conforming to specifications set forth by HISUN, which adversely affect performance and/or
 - (5) Use in competitive racing or related events.

B. Inspections, replacement of parts and other services and adjustments required for required maintenance.

C. Any vehicle equipped with an odometer or hour meter on which the odometer mileage or hour meter reading has been changed so that actual mileage cannot be readily determined.

III. Limited Liability

A. The liability of HISUN under this Emission Control System Warranty is limited solely to the remedying of defects in material or workmanship by an authorized HISUN dealer at its place of business during customary business hours. This warranty does not cover inconvenience or loss of use of the vehicle or transportation of the vehicle to or from the HISUN dealer. HISUN shall not be liable for any other expenses, loss or damage, whether direct, incidental, consequential or exemplary arising in connection with the sale or use of or inability to use the vehicle for any purpose. Some states do not allow the exclusion or limitation of any incidental or consequential damages, so the above limitations may not apply to you.



Hisun Motors Corp., U.S.A. Limited Warranty on Emission Control System

B. No express emission control system warranty is given by HISUN except as specifically set forth herein. Any emission control system warranty implied by law, including any warranty of merchantability or fitness for a particular purpose, is limited to the express emission control system warranty terms stated in this warranty. The foregoing statements of warranty are exclusive and in lieu of all other remedies. Some states do not allow limitations on how long an implied warranty lasts, so the above limitations may not apply to you.

C. No dealer is authorized to modify this Limited Emission Control System Warranty issued by HISUN.

IV. LEGAL RIGHTS. This warranty gives you specific legal rights, and you may also have other rights which vary from state to state.

V. This warranty is in addition to the limited vehicle warranty.

VI. ADDITIONAL INFORMATION. Any replacement part that is equivalent in performance and durability may be used in the performance of any maintenance or repairs by the owner. However, HISUN is not liable for these parts. The owner is responsible for the performance of all required maintenance. Such maintenance may be performed at a service establishment or by any individual. The warranty period begins when the vehicle is placed into service.

If you have any questions regarding your warranty rights and responsibilities, you should contact Hisun Motors Corp., U.S.A., or the U.S. Environmental Protection Agency at 2000 Traverwood Drive, Ann Arbor, MI 48105.

Hisun Motors Corp., U.S.A.

310 E. University Drive

McKinney, TX 75069

Phone: 972-446-0760

Fax: 972-446-0765

Toll-Free: 877-838-6188



(888) 405-8725
1775 E. University Dr., Tempe, AZ 85281
www.colemanpowersportsusa.com

www.facebook.com/colemanpowersportusa.com
www.instagram.com/colemanpowersports_usa

