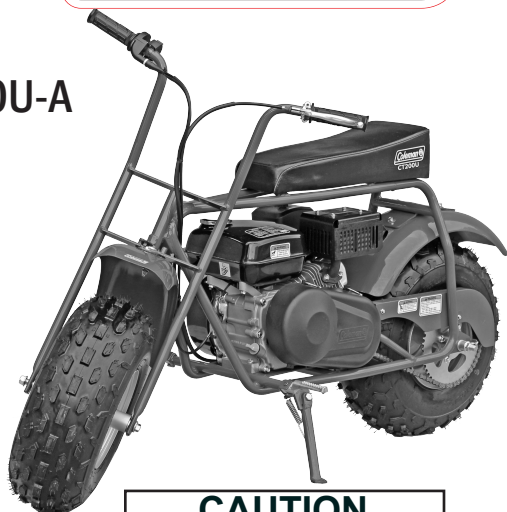


ASSEMBLY/PRE-RIDE INSPECTION INSTRUCTIONS



CT200U-A



CAUTION

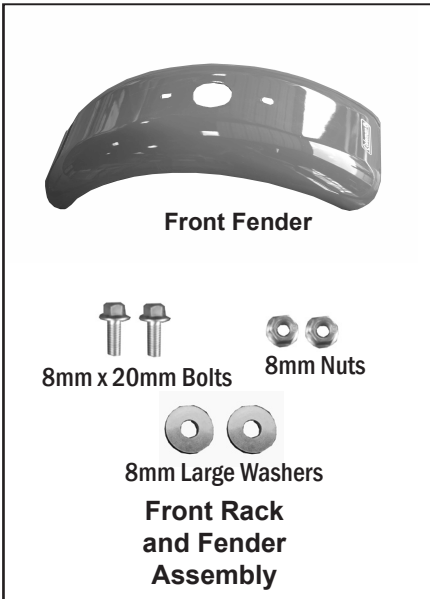
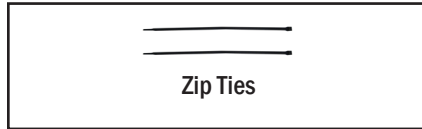
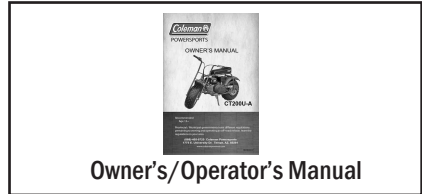
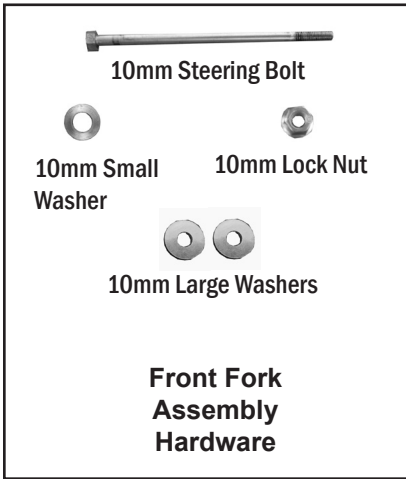
This mini bike was shipped without engine oil. Always fill with with the correct amount and grade of engine oil as listed in the owner's manual.

For questions about these Assembly Instructions, call Coleman Powersports toll free 888-405-8725

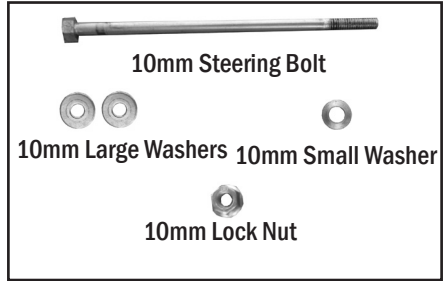
▲ WARNING

Never attempt to start this Mini Bike without reading and understanding the Owner's/Operator's manual. The Owner's/Operator's manual provides information on safety, parts, functions, pre-ride inspection, starting and maintenance.

REMOVAL FROM CRATE



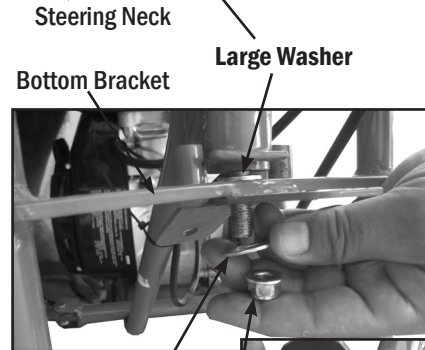
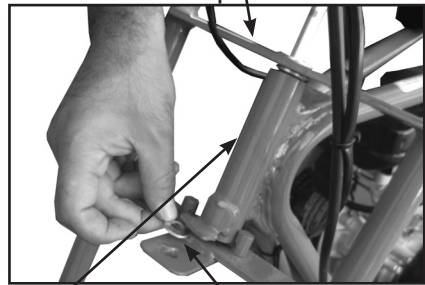
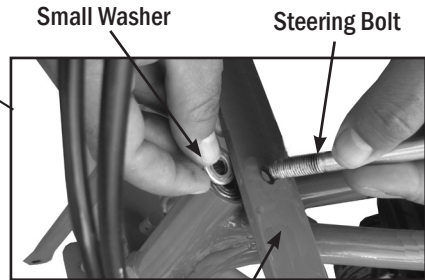
FRONT FORK INSTALLATION



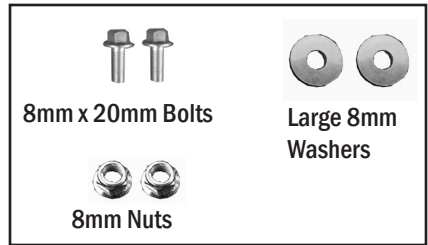
1. Install front Fork Assembly by inserting the 10mm steering bolt through the assembly in the following order:
Top bracket, Small 10mm Washer, Steering Neck, Large 10mm Washer, Bottom Bracket, Large 10mm Washer, Lock Nut

1. Tighten Lock nut snug,

Note: Do not over tighten Lock nut. Over tightening will cause the steering to bind .

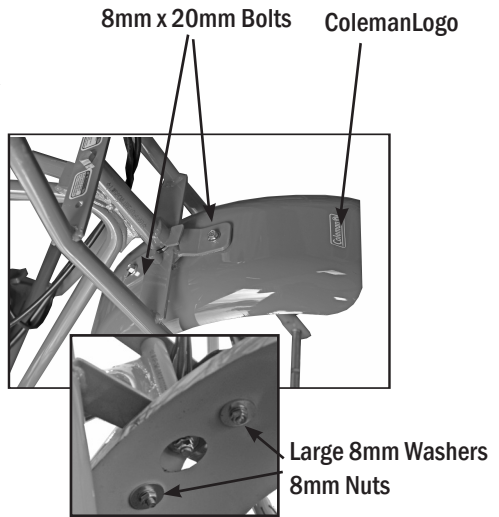


FRONT FENDER INSTALLATION

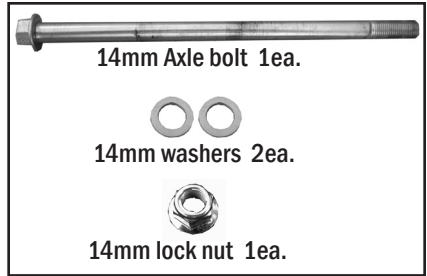


2. Attach front fender with 8mm x 20mm bolts, large 8mm washers and 8mm nuts.

Note: Small portion of fender faces forward (coleman Logo in front)



FRONT WHEEL INSTALLATION



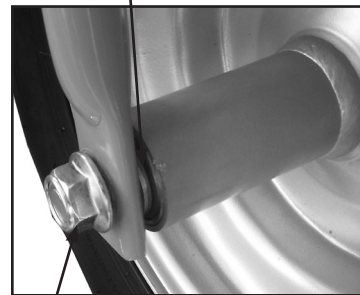
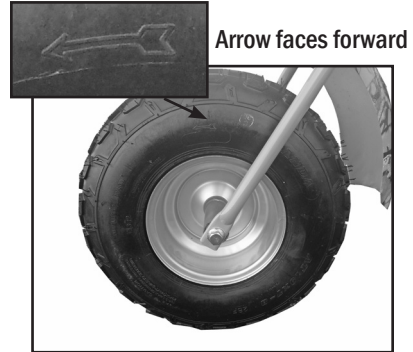
1. Orient the front tire so the arrow on the tire faces forward.

2. Insert Axle bolt with the 14mm washers between the forks and wheel assembly on each side.

3. Install 14mm lock nut

4. Tighten Lock nut snug,

Note: Do not over tighten Lock nut. Over tightening can damage wheel bearings.



SECURE WIRES AND CABLES

INSTALL CLUTCH COVER

1. Make sure the On/Off Switch wire, Throttle cable and Brake cable are not kinked and have free movement when the handle bars are turned from left to right.



Zip Ties

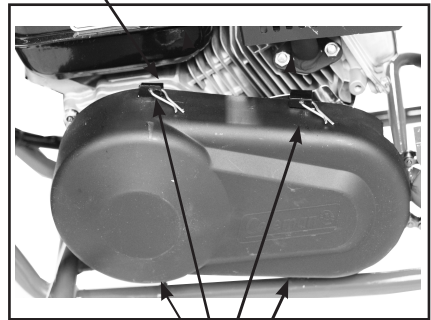
2. Secure wires and cables to frame using the Zip ties provided.



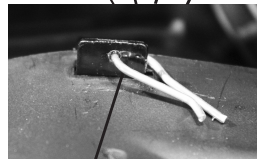
Zip Ties

3. Install clutch cover over the 4 bracket tabs provided on the clutch assembly. Make sure the clutch cover is attached securely.

Clutch Cover



4. Insert Cotter Hairpins through the 4 bracket tabs



Bracket Tabs with Cotter Hairpins installed

OIL AND FUEL

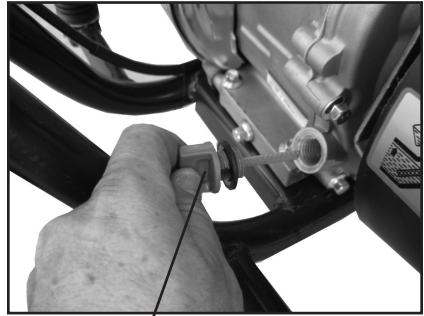
Engine Oil

Mini bike **DOES NOT** have oil in crankcase when shipped from the factory.

NEVER ATTEMPT to start the engine without engine oil.

Filling with Oil

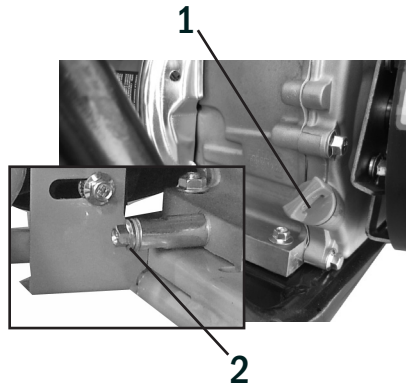
1. Remove the oil fill plug (1)
2. fill with SAE 10W-30 motor oil. This mini bike takes .63qt. (.6L) of engine oil. Oil should be up to the brim of the fill hole.
3. Re- install fill cap, Start engine and allow to run for a few minutes, Re-check oil level and fill accordingly.



1



Caution: Do not over or under fill with Motor Oil



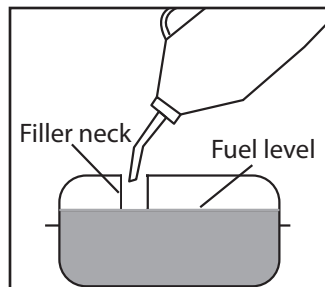
2

FUEL

Never use leaded gasoline in this product. It could affect the engine's emissions and damage the engine.

Mini Bike requires clean unleaded regular gasoline with a minimum octane rating of 90 or higher.

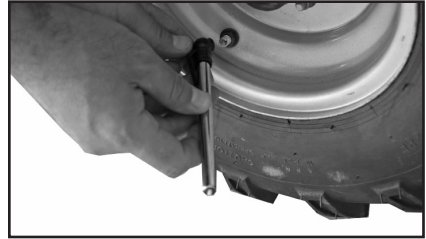
Fill with gasoline up to the bottom of the filler neck.



TIRE PRESSURE

Tires

1. Check tire pressure. Incorrect tire pressure can affect the handling, rider comfort, steering, tire life and traction. Always check the tire pressure before each ride.



Tire pressure

Front tires: 10psi

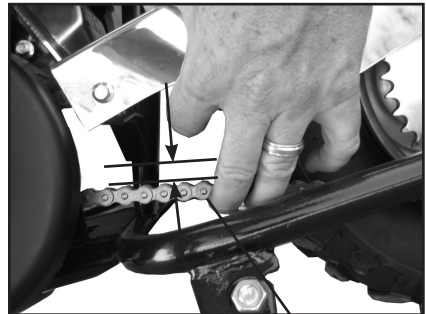
Rear tires: 10psi

Chain tension

Check the tension of the chain , The chain (1) tension should be 1/2 - 3/4 in. (15-20mm)

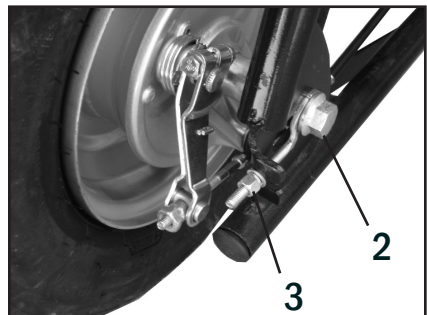
Chain tension (slack) adjustment

1. Loosen bolt (2) on the rear axle assembly.
2. Adjust chain tension by turning the tension nuts (3) (Note: Tension nuts are located on both sides of the mini bike.) Clockwise will tighten the chain. Counter clockwise will loosen the chain.
3. Once the chain is at the correct tension re-tighten axle bolt (2).
4. Re-check chain tension.



1/2 - 3/4 in.
(15-20mm)

1



2

3

BRAKE ADJUSTMENT

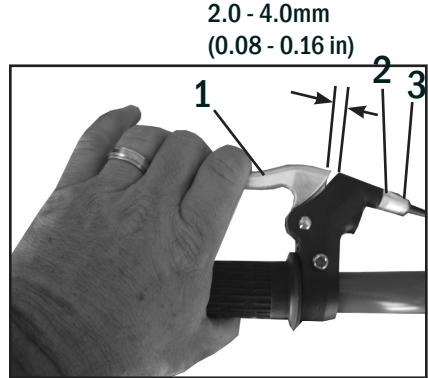
Brakes

Brake Lever Adjustment

The front left brake lever (1) should have 2.0 - 4.0mm (0.08 - 0.16) of free play.

To adjust brake lever free play:

1. Loosen the jam nut (2) on the brake cable.
2. Turn the adjuster nut (3) until the correct amount of free-play is achieved.
3. Re tighten jam nut (2)

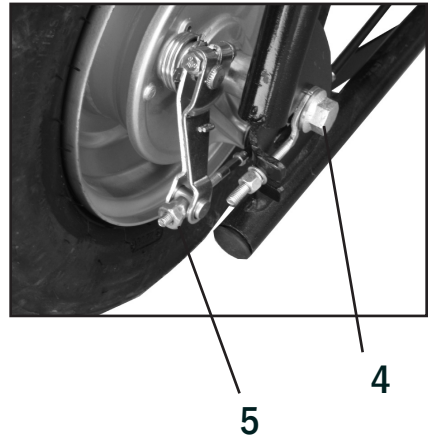


Brake Adjustment

To adjust brakes, loosen the rear axle bolt (4)

Locate the adjustment nut (5) located on the rear brake drum assembly.

To adjust brakes, turn the adjusting nut (5) clockwise to increase braking, counter clockwise to decrease braking.



THROTTLE ADJUSTMENT

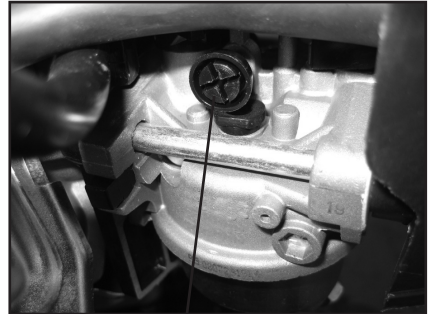
Idle speed adjustment

The idle speed should be set at 1700 ± 150 RPMs

Note: A service center can perform this adjustment . A diagnostic tachometer is required for this adjustment.

To adjust the idle speed:

1. Locate the idle adjustment screw (1) located on the carburetor.
2. Allow the engine to warm up approximately 10 minutes
3. With the engine running, turn the idle adjustment screw in or out at small increments until the correct idle is achieved.



Throttle Cable adjustment

It is important that the throttle grip have a certain amount of free play .

The hand grip throttle free play (2) should be $.078 - .24$ in (2-6 mm)

To adjust freeplay

1. Loosen jam nut (3)
2. Turn adjusting nut (4) to proper setting
3. Once throttle grip is at the proper freeplay, re-tighten the jam nut (3).



PRE-RIDE INSPECTION

Inspecting and checking the condition of the Mini Bike before each ride is important. Following the pre-ride check list will help insure there are no problems which could result in injury or becoming stranded. Make sure the Mini Bike is in good operating condition before each ride.

⚠ WARNING

Failing to inspect and maintain the Mini Bike could be hazardous.

Not following the pre-ride inspection procedures could result in losing control of the Mini Bike resulting in an accident or damage to the Mini Bike

Always perform a Pre-ride inspection before each ride.

⚠ WARNING

Performing maintenance and checks while the engine is running could be hazardous.

You could be severely injured by moving parts or hot surfaces.

Never perform maintenance or check procedures while the engine is running with the exception of checking the engine stop switch or throttle.

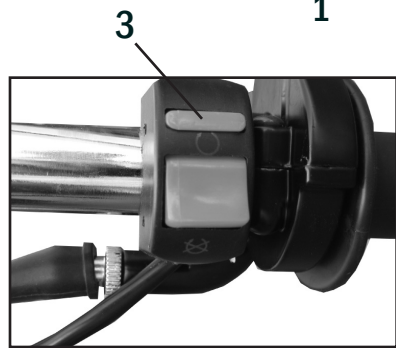
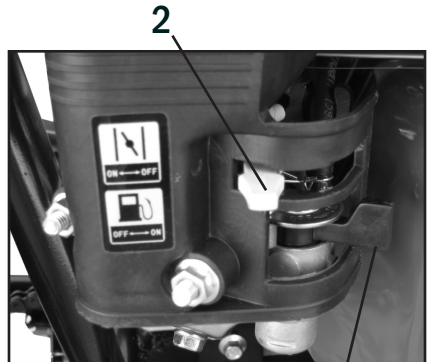
WHAT TO CHECK	CHECK FOR
Steering	<ul style="list-style-type: none"> • Smoothness • No restriction of movement
Brakes	<ul style="list-style-type: none"> • Proper brake lever play
Tires	<ul style="list-style-type: none"> • Proper tire pressure
Fuel Tank	<ul style="list-style-type: none"> • Enough fuel for the ride • Fuel cap secure • Hoses have no signs of cracks or leaks
Throttle grip	<ul style="list-style-type: none"> • Throttle grip snaps back to idle when released • Operates freely • Has correct free play
Engine Stop Switch	<ul style="list-style-type: none"> • Switch shuts off engine when activated.
Engine Oil	<ul style="list-style-type: none"> • Correct oil level
Drive Chain	<ul style="list-style-type: none"> • Proper tension • Lubricated
General Condition	<ul style="list-style-type: none"> • Axle nuts tight • All nuts and bolts tight • No rattles from engine or frame while running

STARTING ENGINE

STARTING ENGINE

To start the engine

1. Place the fuel valve (1) to the “ON” (right) position
- 2.. If engine is cold, place the choke lever (2) to the “ON” (left) position.
3. Place the ON/OFF switch (3), located on the handlebars, to the (on)position.
4. Pull the starter recoil cord to start the engine.
5. Once engine has warmed up for a few minutes, place the choke lever (2) back to the “OFF” (right) position.



⚠ WARNING

Starting or running the Mini Bike in an enclosed area such as a garage or shed where there is no ventilation is hazardous.

Inhaling exhaust fumes from the Mini Bike can cause severe injury or death.

Never start or run the Mini Bike in an inclosed environment where there is no ventilation. Always start and run outdoors.

⚠ WARNING

Never attempt to start this Mini Bike without reading and understanding the Owner's/Operator's manual. The Owner's/Operator's manual provides information on safety, parts, functions, pre-ride inspection, starting and maintenance.



**1775 E. University Dr.
Tempe, AZ. 85281**

**PHONE: Toll Free 888-405-8725
colemanpowered.com**